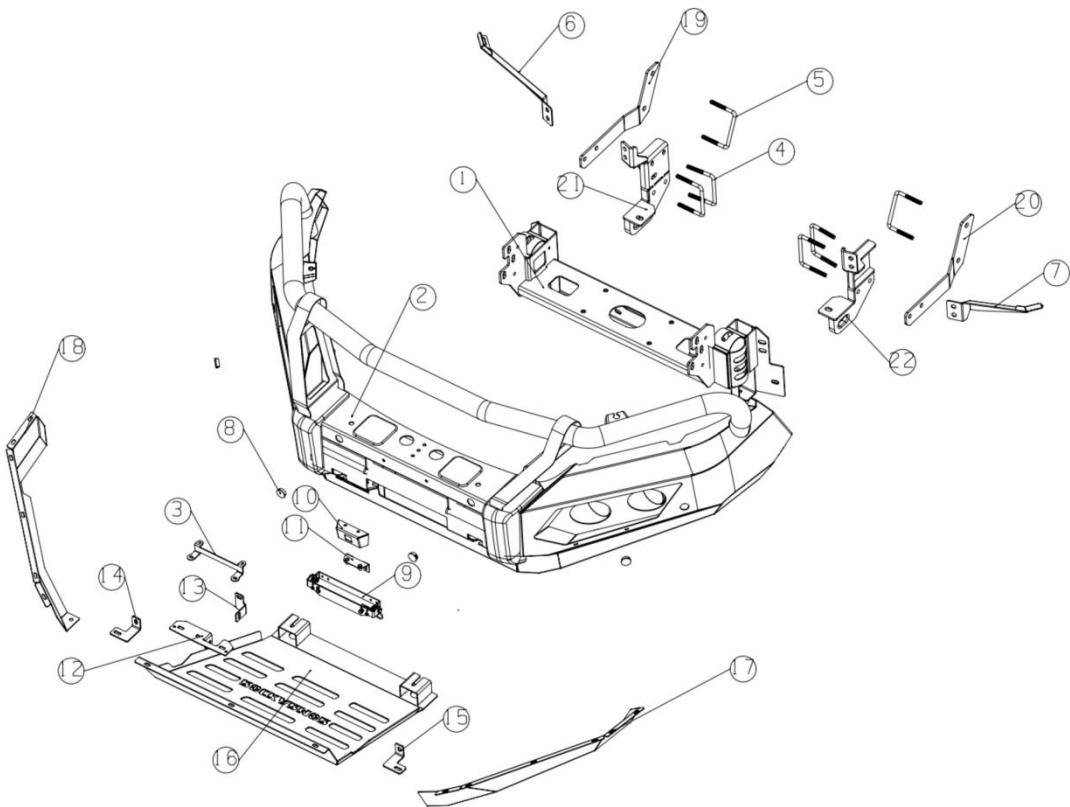


Description:	GT Bull Bar Hoop - Hoopless
Model:	MR Triton 2019+ Mitsubishi Pajero Sport QF
Item NO.:	BBRA-MRGT BBRA-MRGTNH





Fitting instruction

READ BEFORE INSTALLATION

- All Rockarmor products are manufactured to highest of standards and latest finishes including sand blasting all raw material and e coating to clear the product of any impurities and finished with a tiger coat to keep the longevity if at any stage while off road or on road use this product is damaged or scratched have the damaged surface repaired.
- This product and its fixings must not be modified in any way unless stated in this fitting instruction
- Do not remove labels from this product.
- Do not use this product for any vehicle other than specified in these instructions.
- It is the installers responsibility to assure this product is installed correctly allowing enough tolerance for movement between the chassis and body and clearance of all components.
- Use Loctite on all nuts and bolts.
- The installation of this product may require the use of specialized tools and or trained fitter.
- For more information regarding this product please visit www.Rockarmor.com.au

Standard locking torque

M6 - 9Nm | M8 - 22Nm | M10 - 44 Nm | M12 - 77 Nm

The following tools will be required to install the product.

Metric Socket Set 10-18MM

Socket Extension Bar

Metric Spanner Set 10-18MM

Torx Drivers T25-T30

Trim Removal Tool

Screw Driver Set (Flat and Phillips head)

Utility Knife

Side Cutters

Pliers

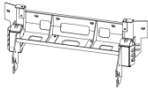
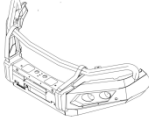












Impact Drill

Loctite

Cable Ties

PARTS LIST

IMPORTANT: Check all parts are present before beginning work! Contact ROCKARMOR IF ANY PARTS ARE MISSING

Item	item NO.	Description	Qty	Item	item NO.	Description	Qty
1	RA0149	 WINCH FRAME	1	2	RA0168	 BULL BAR	1
3	RA9450	 NO-PLATE HOLDER	1	4	RA0273	 U-BOLT M10*336.5	4
5	RA0167	 U-BOLT M10*301.5	2	6	RA0821	 WING SUPPORT (LH)	1
7	RA0820	 WING SUPPORT (RH)	1	8	RAPlug	 Sensor Plugin	4
9	RA0415	 FOLDING-NO-PLATE HOLDER	1	10	RA0324	 CAMERA HOLDER	2
11	RA0327	 CAMERA SUPPORT BRACKET	1	12	RA0319	 GRILLE SUPPORT	1
13	RA0320	 SUPPORT BRACKET	1	14	RA0209	 BASH PLATE SUPPORT (LH)	1

15	RA0196	 BASH PLATE SUPPORT(RH)	1	16	RA0193	 CENTRE BASH PLATE	1
17	RA0194	 BASH PLATE(LH)	1	18	RA0195	 BASH PLATE(RH)	1
19	RA0144	 CRADLE SUPPORT BRACKET(RH)	1	20	RA0141	 CRADLE SUPPORT BRACKET(LH)	1
21	RA0159	 RECOVERY POINT(LH)	1	22	RA0158	 RECOVERY POINT(RH)	1
23	RA0160	 PINCH WELD					

Hardware kit

Item		Description	Qty
23	RA0326	Round head screwM5X16	4
24	RA0326	Spring washerD6	2
25	RA0326	Hexagon flange nutsM5	4
26	RA0326	Washer D10D5(5X10X1.0mm)	4
27	RA0326	Hexagonal head boltM6X20	2
28	RA0326	Washer D6(6X12X1.6mm)	2
29	RA5395	Spring washerD5	4
30	RA0148	Washer D10(10X20X2.0mm)	12
31	RA0148	Hexagonal head boltM10X25	2
32	RA0148	Hexagon lock nutM10	6
33	RA0148	Hexagonal head boltM10X30	7
34	RA0148	Hexagon nutM8	2
35	RA0148	Hexagon nutM10	19
36	RA0148	Hexagonal head boltM10X35	4
37	RA0148	Large washerD10(10X30X2.5mm)	32
38	RA0148	Spring washerD10	27
39	RA0148	Hexagonal head fine thread boltM10X35	8
40	RA0148	Hexagon lock nutM12	10
41	RA0148	Large washerD12(12X37X3.0mm)	20

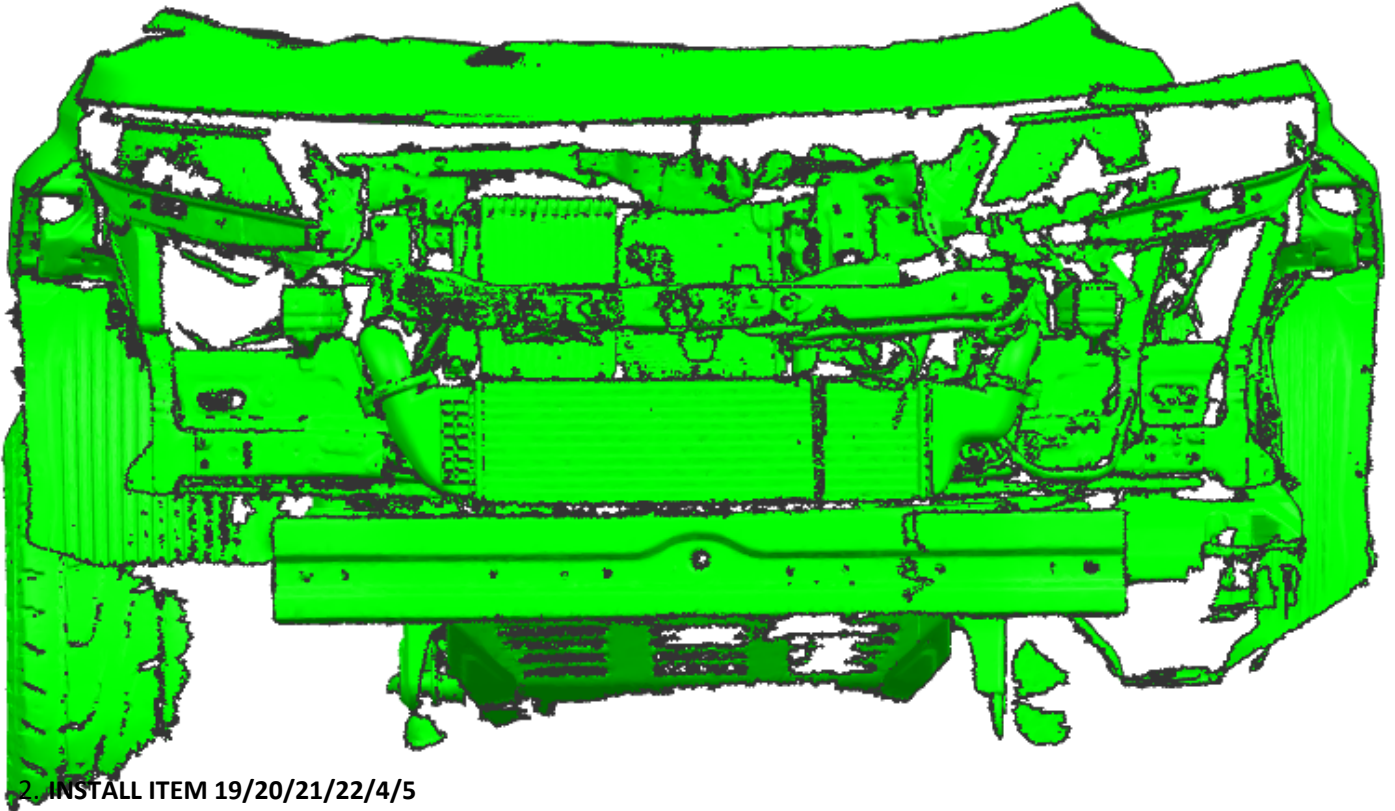


Fitting instruction

42	RA0148	Hexagonal head boltM12X40	10
43	RA0148	Pan head self tapping screw 6.3X19	2
44	RA0148	Hexagonal head boltM6X25	19
45	RA0148	Large washerD6(6X18X1.6mm)	21
46	RA0148	Spring washerD6	19
47	RA0148	Spring washerD8	2
48	RA0148	Large washerD8(8X24X2.0mm)	2
49	RA0148	Hexagon flange nutsM6	2
50	RA0148	Hexagonal head boltM8X30	2

Installation Steps:

1. Remove front factory bumper exposing the chassis as seen in the picture below. Carefully Disconnect any wiring attached.



2. INSTALL ITEM 19/20/21/22/4/5

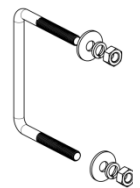
U BOLTS ARE INSTALLED AROUND THE CHASSIS
CAUTION NOT TO DAMAGE SENSOR CABLES

Item 35/37/38 : (8sets) :

U BoltM10*336.5+Large washerD10(10X30X2.5mm)

(2) +Spring washerD10 (2) +nutM10 (2)

(4sets)



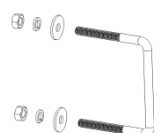
Using the below bolt kits :

Item35/37/38 : (8套) :

U BoltM10*301.5+Large washerD10(10X30X2.5mm)

(2) +Spring washerD10 (2) +nutM10 (2)

(2sets)



3. INSTALL WINCH FRAME TO FRONT OF CHASSIS ITEM NUMBER 1



Use below bolt kits: These are mounted into existing vehicle mounting points (Only finger Tighten at this stage)

- 1、Item 36/37/38 (4sets)

Hexagonal head bolt M10x1.25_35+Spring washer D10+ Washer D10(10x30x2.5mm)

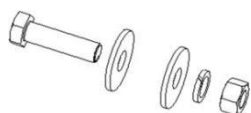


Use below bolt kits:

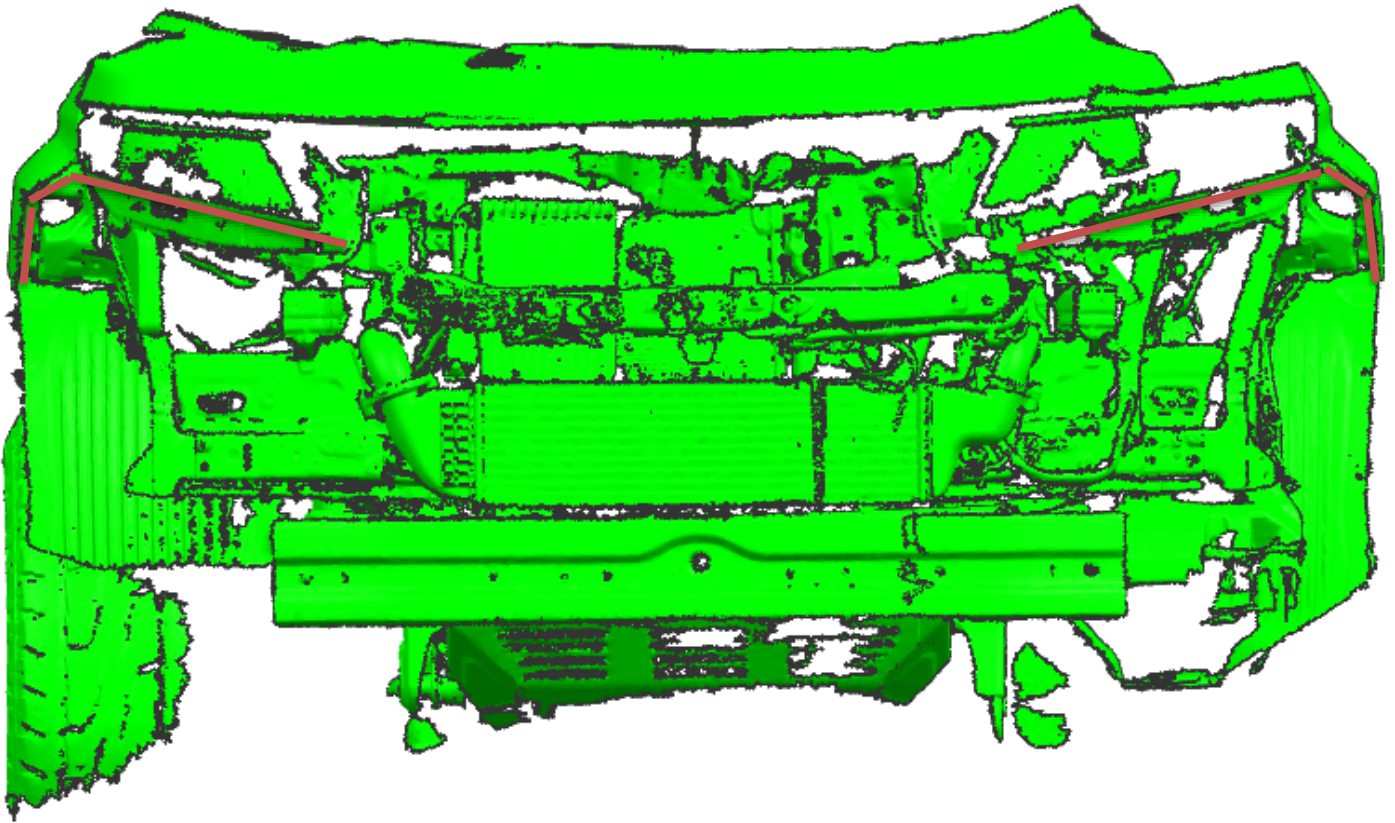
- 1、Item 36/37/38 (2sets)

Hexagonal head bolt M10x1.25_35+Spring washer D10+ Washer D10(10x30x2.5mm)

(If installing a winch, Install your Winch at this stage).



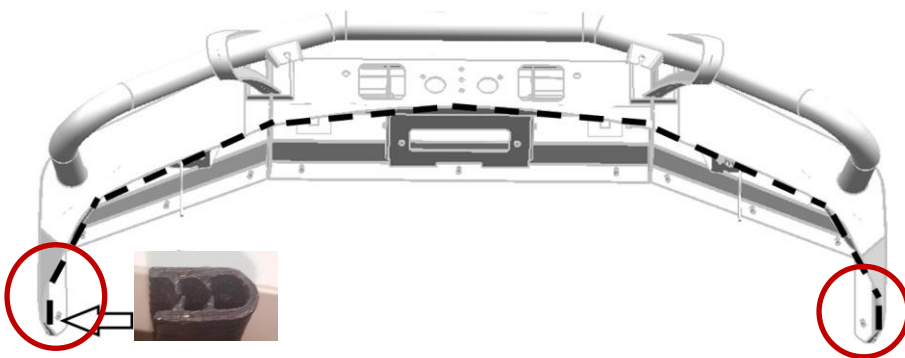
4. MASK UP UNDER LIGHTS AND SIDE OF GUARD, LIGHTLY SCUFF AND PAINT



5. i t e m 23 Install the provided pinch weld rubber around the highlighted area of the bulbar.

install winch snesors and camera if applicable at this stage

6. Mount the Bulbar to the Winch Frame.

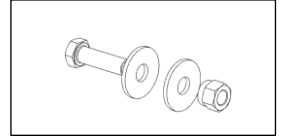




7. Using the below bolt kits:

- 1、Item 40/41/42: (6sets) once all bolts are in adjust bar and tighten allowing for flex

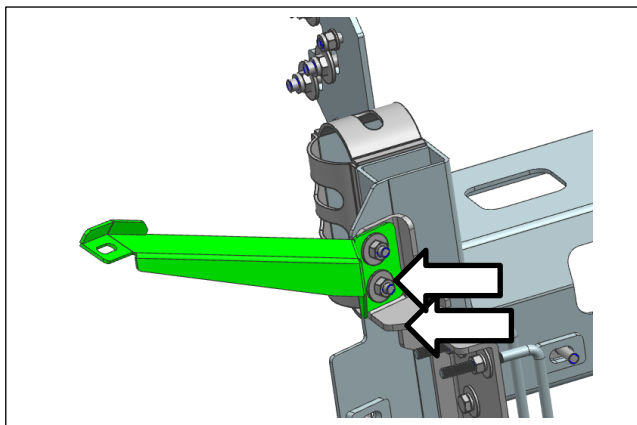
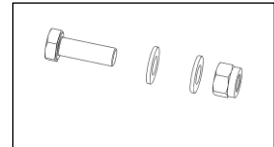
hexagonal head bolt M12_40+ WasherD12(12x37x3mm)
(2)+Hexagon lock nutM12



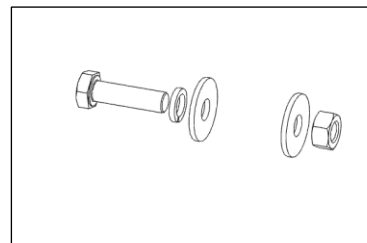
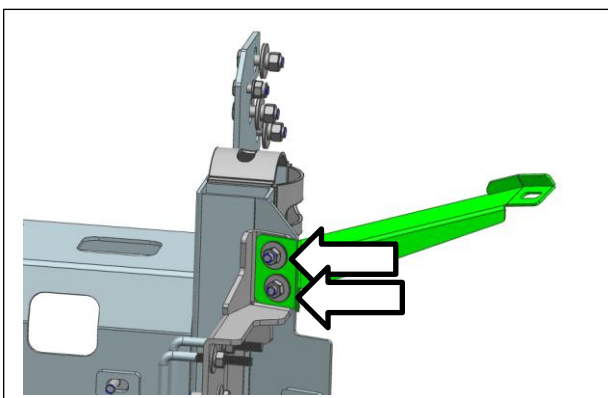
- 2、Item 30/32/33: (4sets)

hexagonal head bolt M10_30+
WasherD10(10X20X2.0mm) (2)+Hexagon lock
nutM10+Hexagon nut M12

drill locator holes left hand and right hand sides (paint drilled area) install nut and bolts



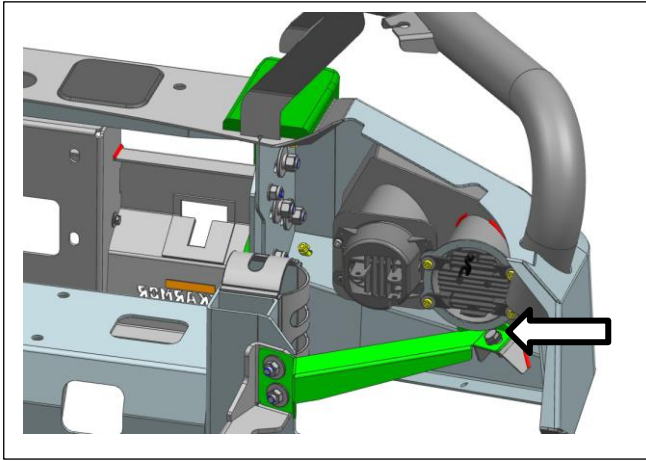
8.install item 6/7 wing support brackets as shown in picture



Using the below bolt kits:

- 1、Item35/ 37/38/39: (4sets)

hexagonal head bolt M10_35+ Washer
D10(10x30x2.5mm) (2)+ Spring washer M10+
Hexagon nut M12

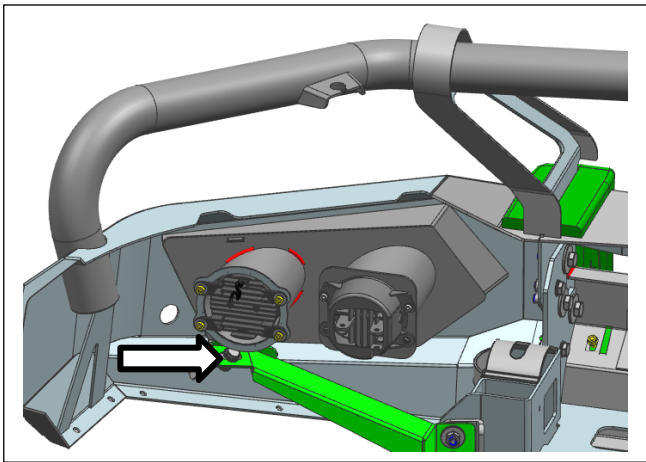
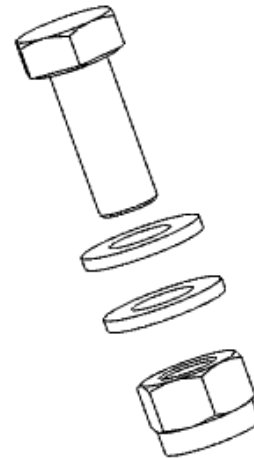


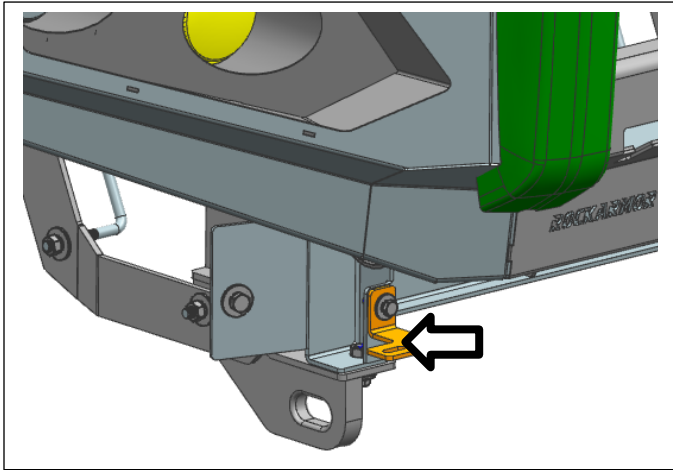
9. Using the below bolt kits:

1、Item 30/31/32: (2 sets)

hexagonal head bolt M10_25+

Washer D10(10x30x2.5mm) (2) + Hexagon nut M12

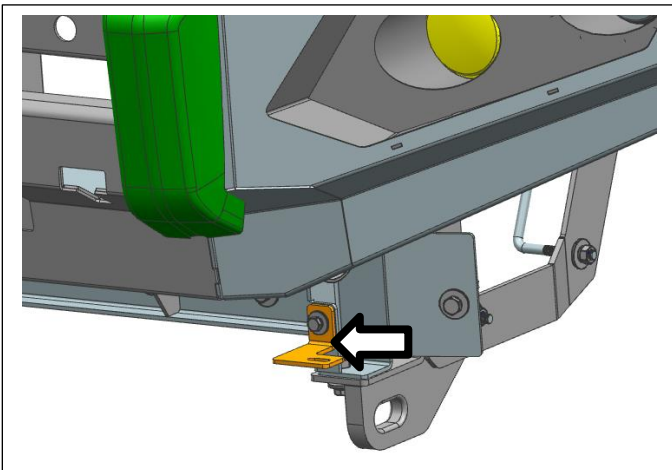
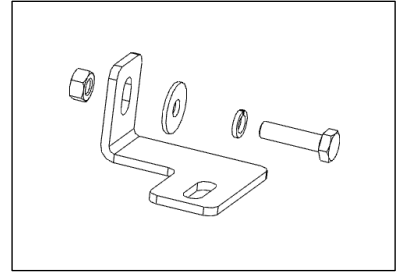




10.Using the below bolt kits:

1、Item15/34/48/50: (1sets)

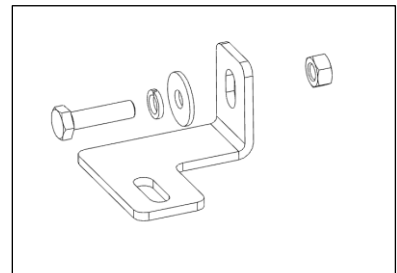
item 14 install bash plate bracket (LH) + hexagonal head bolt M18_30+ WasherD18(8X24X2.0mm) +Spring washer M8+ Hexagon nut M8



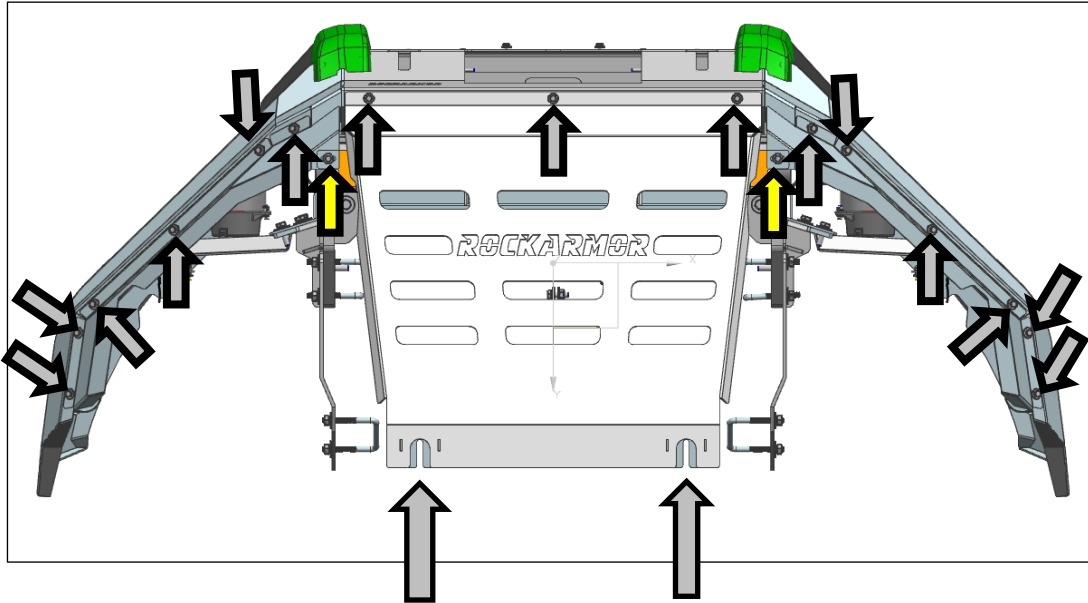
11.Using the below bolt kits:

1、Item15/34/48/50/: (1sets)

install bash plate support bracket (RH) + hexagonal head bolt M18_30+ WasherD18(8X24X2.0mm) +Spring washer M8+ Hexagon nut M8



12. Install Bash Plate Centre - (RH) - (LH) Skid Plate item 16/17/18

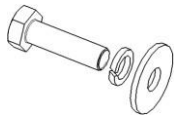


6.1 Using below bolt kits: Install the Skid Plates into position, the bulbar has nutserts fitted to the bar allowing a easy fitment,

6.2 Item no 16 is used to fasten the side skid plate to the center skid plate as shown above

Item 44/45/46: (15sets) →

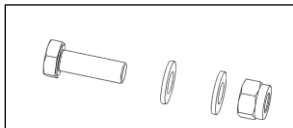
hexagonal head bolt M6_25+ spring washer M6+ Washer D6(6x18x1.6mm)



6.3 use below bolt kits: to mount the center rear skid plate points

Item 44/45/46/49: (2sets) →

hexagonal head bolt M6_25+ Washer D6(6X18X1.6mm) (2)+ Spring washer M6+ Hexagon flange nutsM6



13: Trim the Factory plastic inner guard into place

14: Item no 3 or 9 may be used to mount the number plate if needed.

FOR MORE INFORMATION VISIT www.rockarmor.com.au