

ROCKARMOR

Fitting Instructions

Description:	Nissan Navara NP300 Rock Sliders/Side Steps (2015-Current)
Model:	Nissan Navara NP300
SKU:	SSSRA-NAVARA15



Important Notice – Please Read Before Installation

Before commencing the installation, please ensure you have **carefully read and understood all instructions**. Rockarmor products are engineered to the highest standards using premium materials and finishes. This includes **sandblasting all raw materials, e-coating to eliminate impurities**, and applying a **Tiger powder coat** for enhanced durability.

Should the product become scratched or damaged during off-road or on-road use, the affected surface must be **repaired promptly** to maintain corrosion resistance and product longevity.

Installation must be carried out by a qualified technician, and all steps must be followed precisely to ensure a secure and proper fit.

Side Impact Airbag Compatibility

If your vehicle is equipped with **side impact airbags**, the Rockarmor side steps have **airbag-compatible brackets** integrated into the design. These brackets allow the side steps to remain compliant with airbag deployment safety standards while still offering robust protection and functionality.

While Rockarmor side steps are engineered to be durable and suitable for off-road use, **we strongly advise against using them as a high-lift jack point**. Applying a high lifting force may compromise the structural integrity of the **airbag support brackets**, and could impact airbag performance in the event of a collision.

Note: Please Read Before Attempting Installation

- This product and its fixings **must not be modified** unless explicitly stated in these instructions.
- **Do not remove** any product labels or compliance markings.
- This product is intended solely for use on the **specified vehicle model** outlined in this guide.
- The installer must ensure adequate **clearance between the chassis and body**, and proper fitment to all mounting points.
- **Loctite must be applied** to all bolts and nuts during installation.
- Specialized tools may be required, and we strongly recommend installation be carried out by an **experienced 4x4 accessory fitter**.

Liability Waiver

By proceeding with the installation, the installer acknowledges responsibility for adhering to these instructions.

Rockarmor Pty Ltd accepts no liability for any damage, injury, or vehicle malfunction arising from:

- Improper installation
- Use of this product in a way not intended or advised
- Failure to follow the provided fitting guide

Any deviation from the instructions or product modification will **void all warranties** and transfer all associated risks and liabilities to the installer and/or vehicle owner.

Occupational Health and Safety (OHS) Guidelines for the Workshop

Hearing Protection

All personnel must wear appropriate hearing protection in high-noise areas or when operating loud machinery to prevent hearing damage.



Eye Protection

Approved safety glasses or goggles must be worn at all times to shield the eyes from debris, chemicals, and other hazardous materials.



Safe Manual Handling Procedures

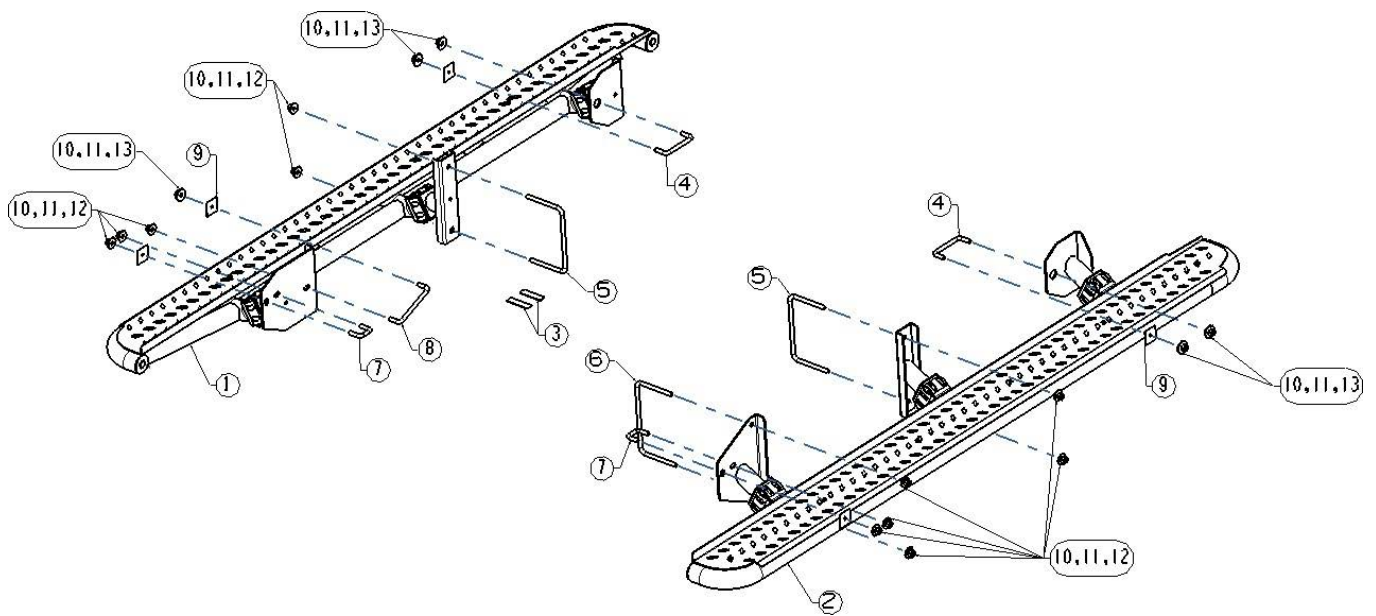
Use correct lifting techniques to avoid strains and injuries. Where possible, utilize mechanical aids and never exceed personal lifting capacity.



Hazard Awareness and Prevention

Remain vigilant of potential hazards within the workshop. Adhere to all posted warning signs and follow established safety protocols to mitigate risks.



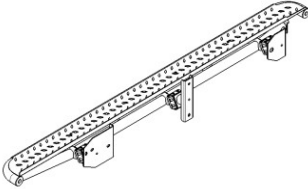
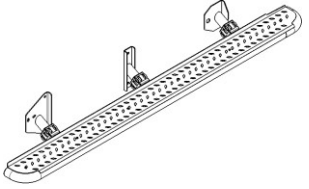
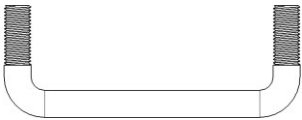


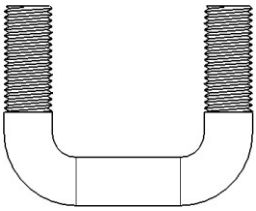

**Please Note:**

- 1) These Side Steps/ Rock Sliders cannot be installed onto other vehicles, in addition to the manufacturer special instructions
- 2) Do not remove labels on the Products.
- 3) Do not change the structure of Side Steps/ Rock Sliders.

Standard locking torque

M6 - 11Nm | M8 - 18Nm | M10 - 80 Nm | M12 - 90 Nm | M16 - 90 Nm

Fitting Instructions

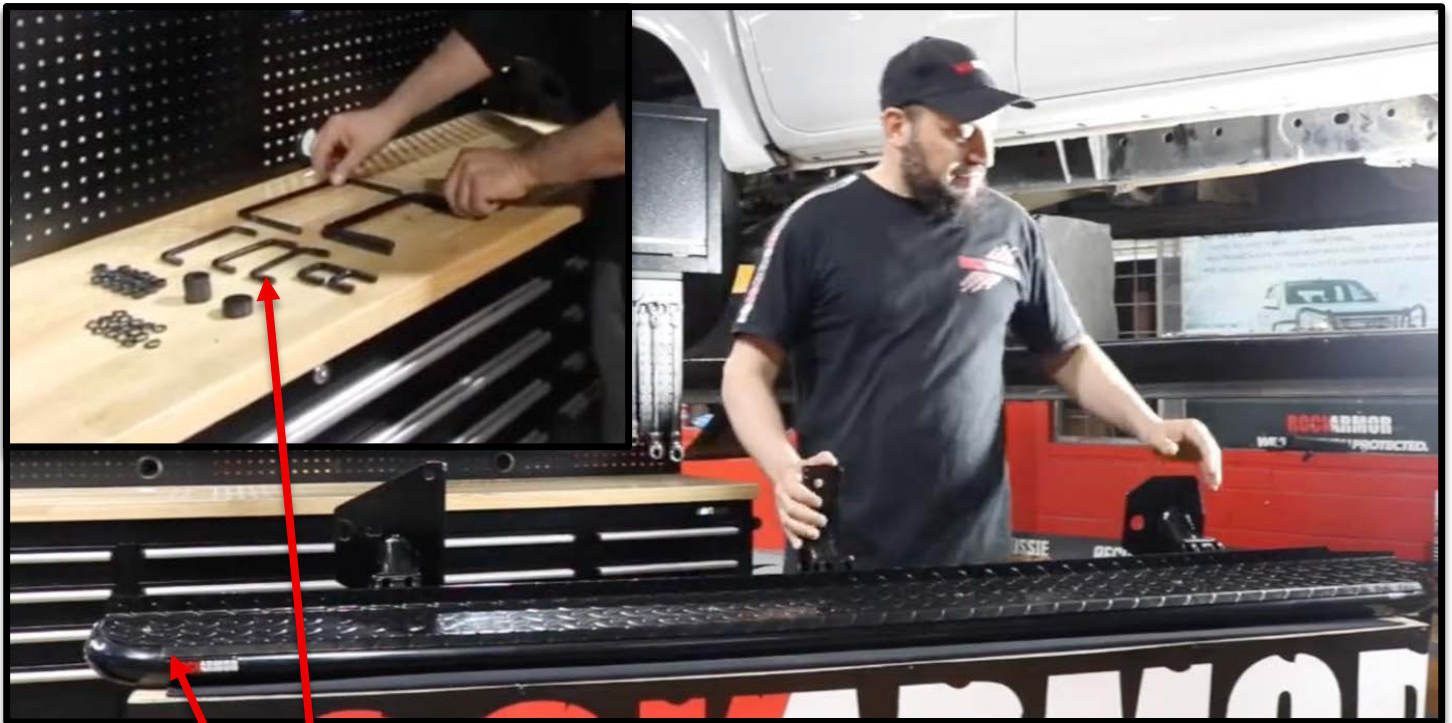
Item	Description	Qty	Item	Description	Qty
1	 Side bar assemble (LH)	1	2	 Side bar assemble (RH)	1
		2	4	 U-bolt (center distance: 100, total height:41, length of thread 22)	2
5	 U-bolt (center distance 183 , total height 120, length of thread 70)	2	6	 U-bolt (center distance 203, total height 120, length of thread 70)	1
7	 U-bolt (center distance 41.5, total height 41, length of thread 22)	2	8	 U-bolt (center distance 123, total height 40, length of thread 22)	1

Item	Description	Qty
9	PVC plastic fixture blockφ10(δ0.7*40*40)	5
10	Hexagon nut M10	16
11	Spring washer D10	16
12	Washer D10(10x30x2.5mm)	11
13	Washer D10(10x34x3mm)	5

BEFORE YOU START

Park Vehicle Safely

1. Park vehicle on level ground.
2. Apply handbrake.
3. Ensure vehicle is secure before working underneath.



Unpack Rock Sliders

1. Remove packaging carefully.
2. Place sliders on workbench.
3. Inspect powder coat for damage.

Inspect Checker Plate Step

1. Confirm checker plate is secure.
2. Check anti-slip surface condition.
3. Verify rubber anti-vibration strip is fitted underneath.





Identify Centre Mount U-Bolts

1. Locate two equal-sized larger U-bolts.
2. These are used for centre mounting points

Identify Rear Small U-Bolts

1. Locate two small U-bolts.
2. One used per side at rear mounting location.

Identify Driver Side Rear U-Bolt

1. Locate largest U-bolt.
2. This is for driver side rear mount.



DRIVER SIDE INSTALLATION



PREPARING REAR U-BOLT

Insert Small Rear U-Bolt

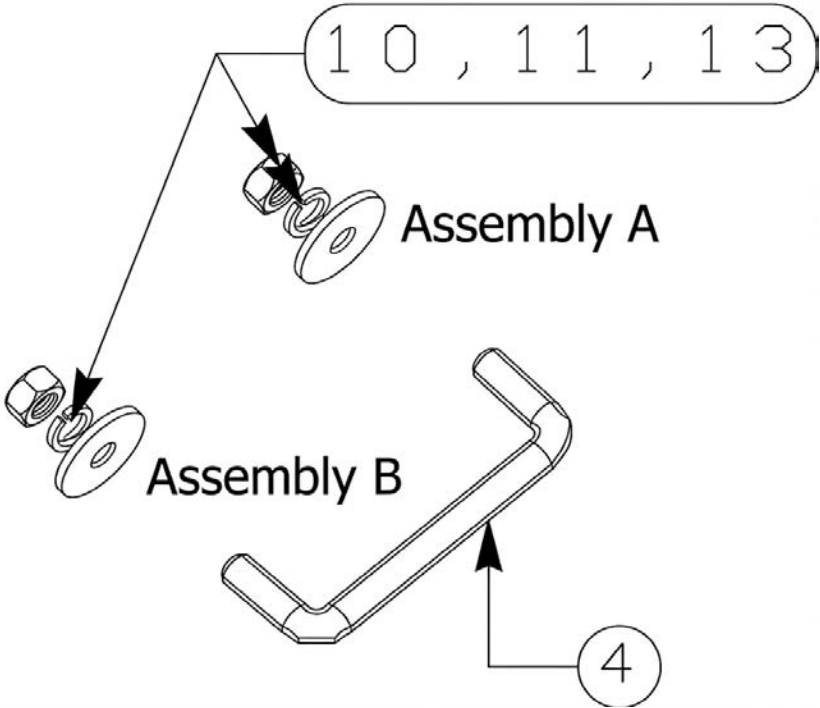
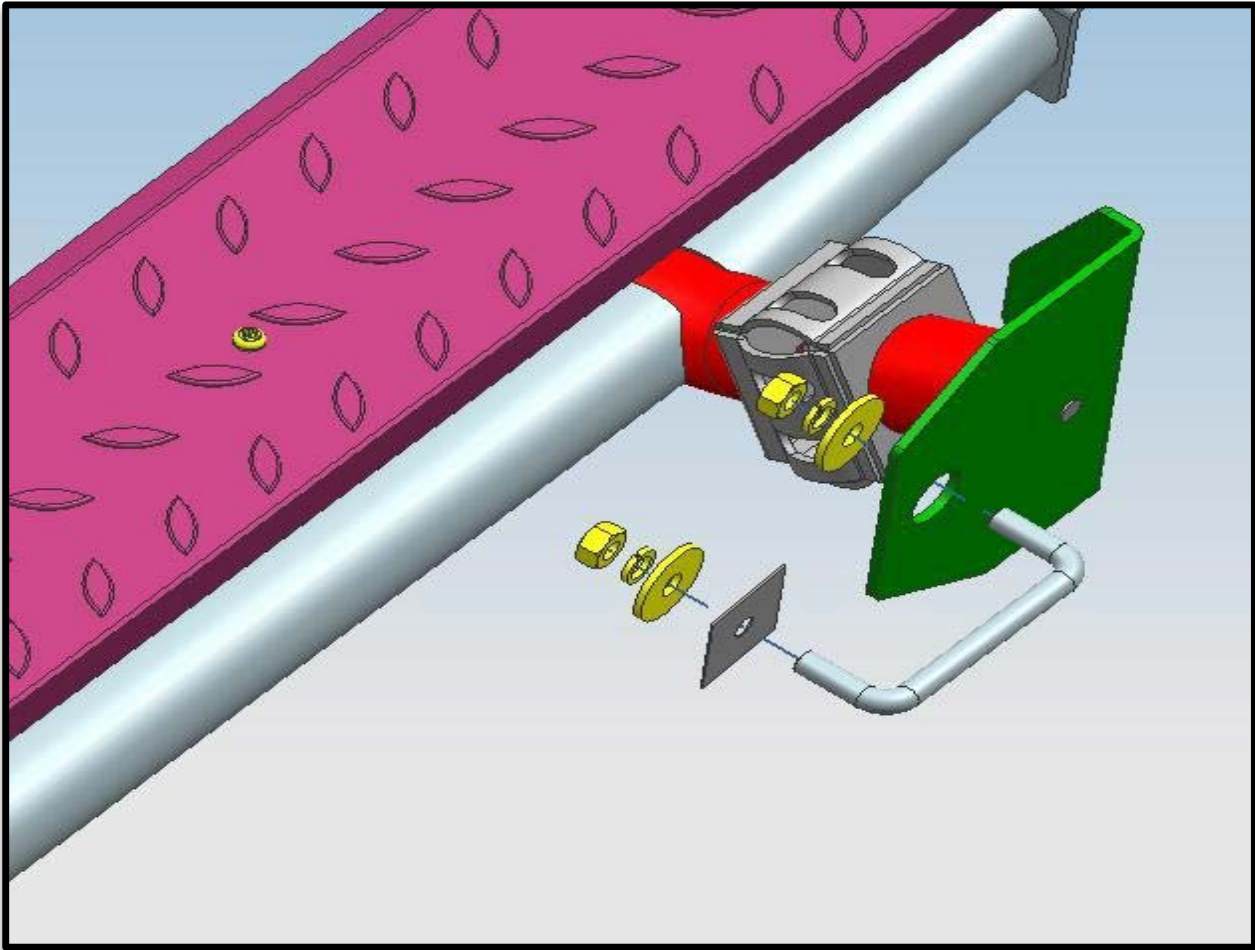
- Move to rear chassis section.
- Feed small U-bolt through chassis opening.



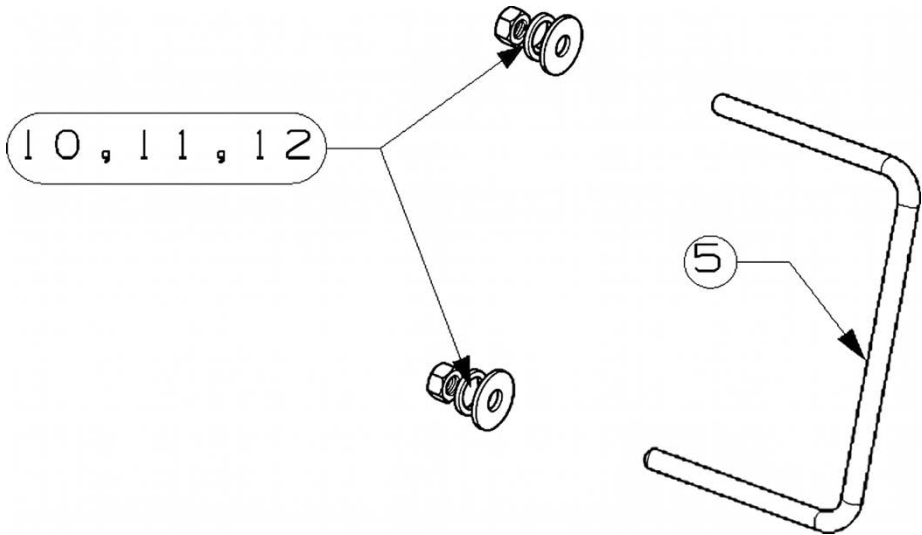
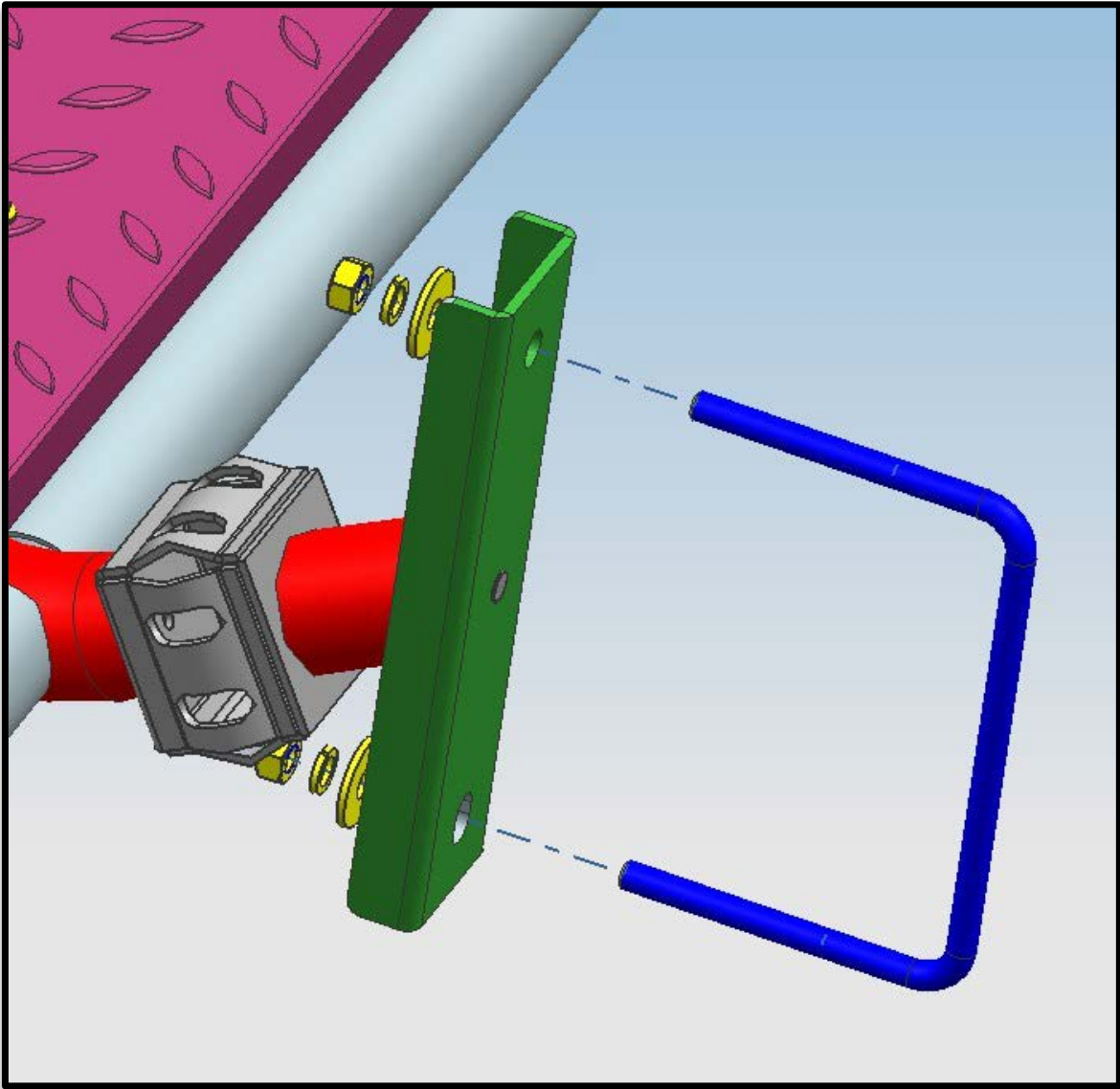
Secure U-Bolt With Cable Tie

- Use cable tie to hold U-bolt in place.
- Prevent U-bolt falling back into chassis.

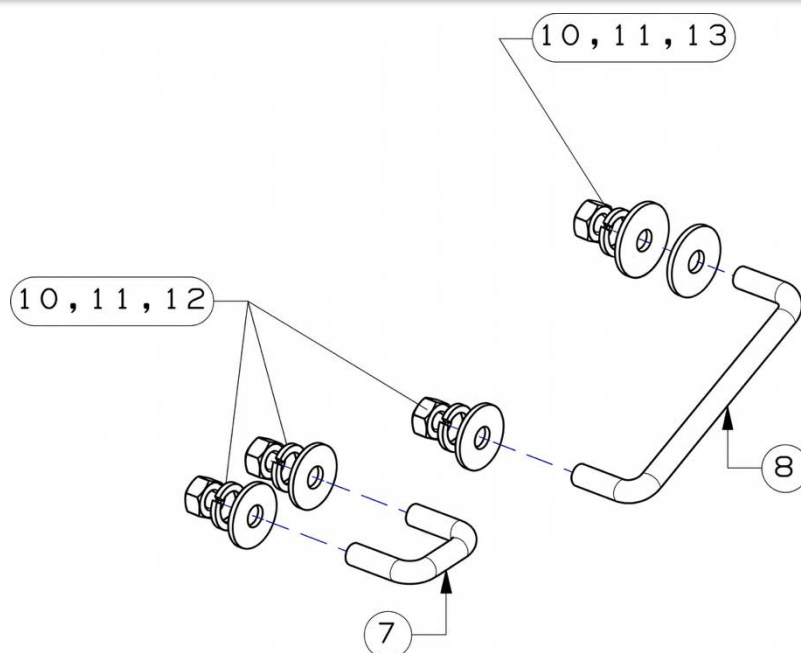
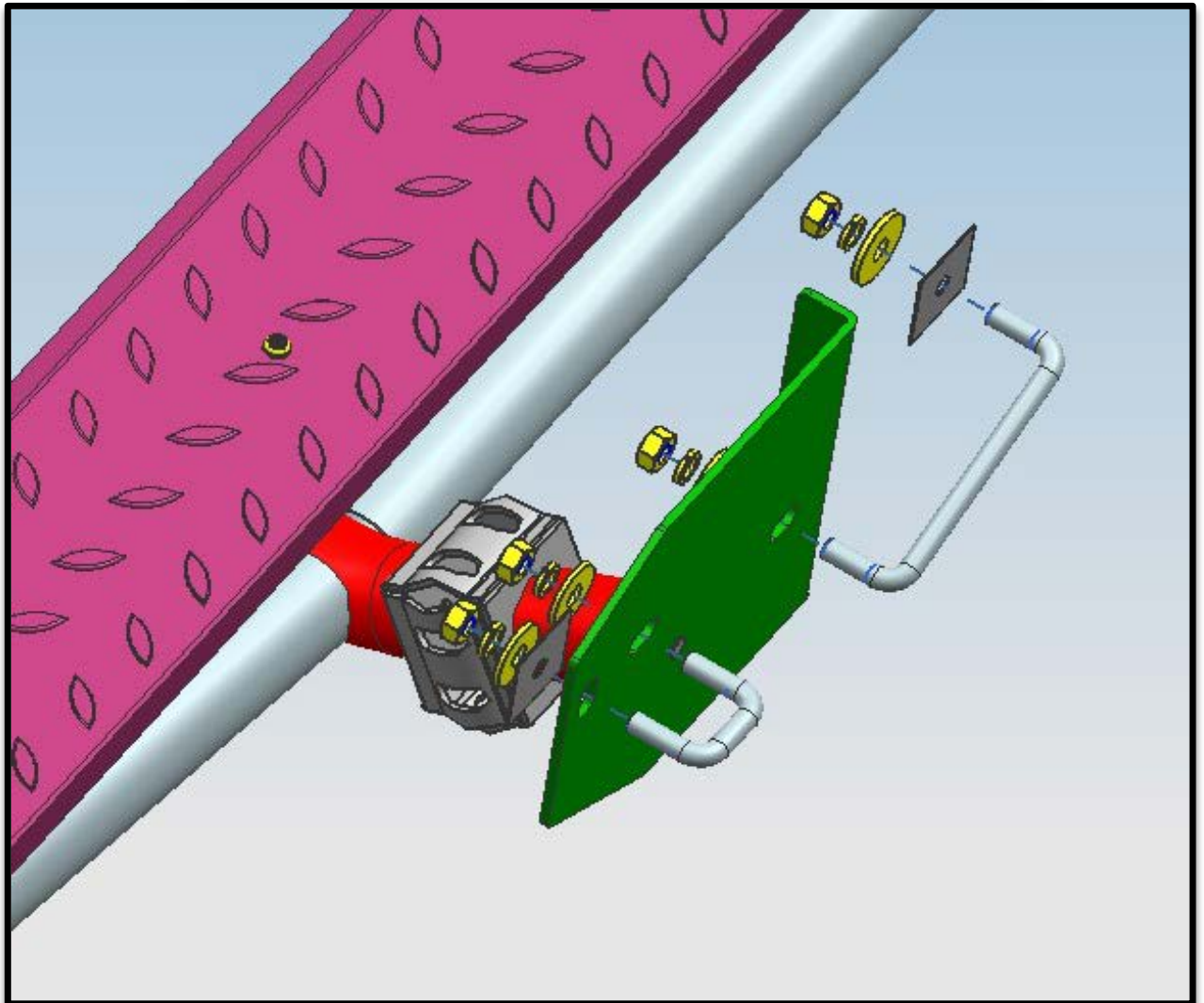
Installation of Front Bracket



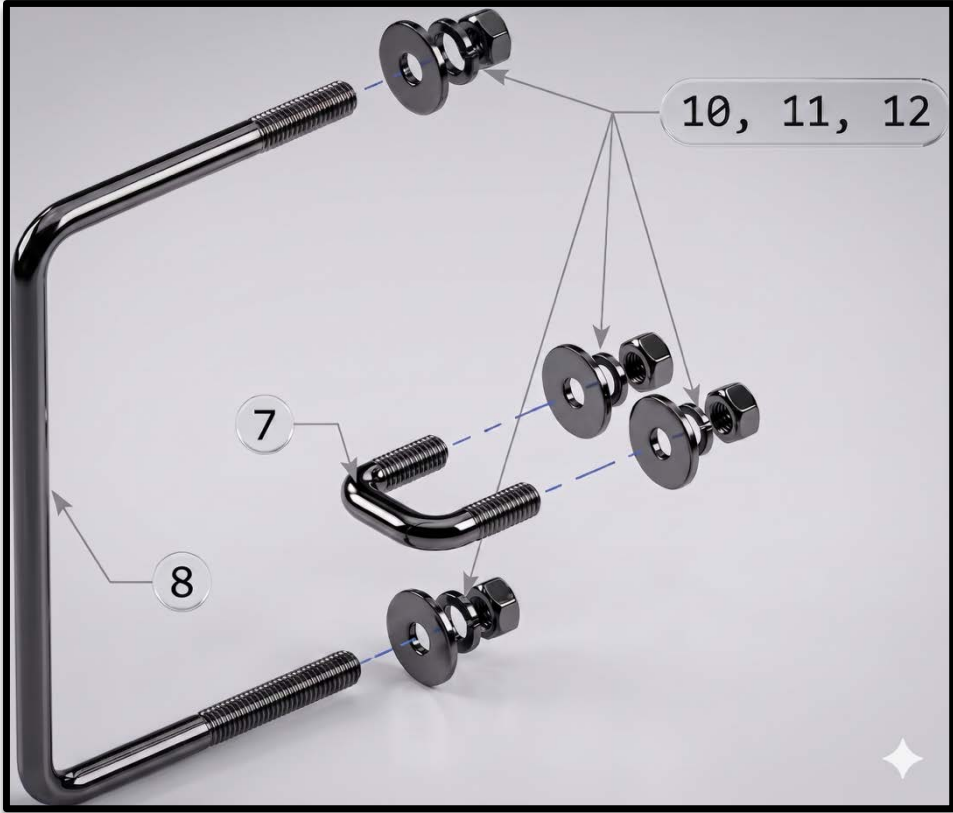
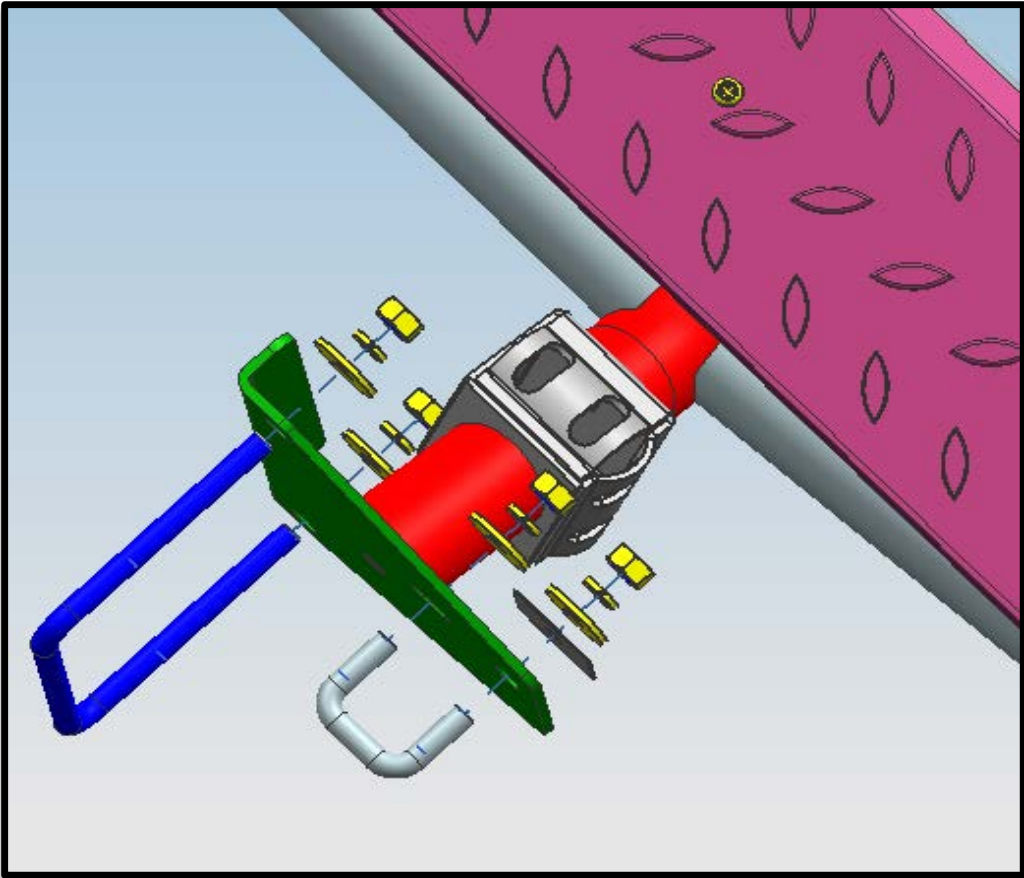
Installation of Middle Bracket



Installation of Rear Bracket - Left



Installation of Rear Bracket - Right



PREPARING WIRING



Locate Electrical Wiring

- Locate factory wiring running along chassis rail.
- Identify retaining cable ties.

Release Wiring Harness

- Cut cable ties carefully.
- Allow wiring harness to move freely.
- Ensure no damage to wiring.



MOUNTING DRIVER SIDE SLIDER

Lift Slider Into Position

- Raise rock slider into place.
- Align rear mounting bracket first.



Mount Rear Bracket

1. Position rear bracket onto U-bolt.
2. Support slider while mounting.

Install Rear Flat Washers

- Install flat washers first onto U-bolt threads.
- Install spring washers after flat washers.
- Install mounting nuts.
- Hand tighten only.

Leave Rear Mount Loose

Do not fully tighten. - Allow movement for alignment.



FRONT MOUNT INSTALLATION

Align Front Mounting Position

- Locate chassis cutout.
- Align front slider bracket with chassis opening.
- Preload flat washer.
- Preload spring washer.
- Preload nut if preferred.
- Insert U-bolt through chassis opening.
- Guide through slider bracket.
- Install nuts.
- Tighten by hand only.



CENTER MOUNT INSTALLATION

Position Centre U-Bolt

- Feed centre U-bolt from rear of chassis.
- Push toward front opening.
- Pass U-bolt through mounting holes.
- Ensure even positioning.
- Install flat washers first.
- Install spring washers.
- Install mounting nuts.
- Hand tighten.





DRIVER SIDE REAR FINAL U-BOLT

- Identify small heat shield near rear mount.
- Carefully bend shield downward.
- Create clearance for large U-bolt.
- Feed large U-bolt from side of chassis.
- Align through mounting holes.
- Install flat washers.
- Install spring washers.
- Install nuts.



PASSENGER SIDE INSTALLATION

Position Passenger Side Slider

- Lift passenger slider into place.
- Repeat same process as driver side.

Identify Fuel Tank Clearance Difference

- Note fuel tank location on passenger side.
- Larger driver side U-bolt cannot be used here.

Insert Passenger Rear U-Bolt

- Feed medium rear U-bolt through front side of chassis.

Use Rubber Mallet if Required

- Tap U-bolt gently into position.
- Avoid damaging powder coat.



Align U-Bolt Through Slider

- Move U-bolt into correct position.
- Feed through slider mount.
- Install flat washer.
- Install spring washer.
- Install nuts.
- Use supplied large washer on chassis side.
- Ensure correct seating.



PASSENGER SIDE FINAL TIGHTENING

Level Passenger Side Slider

- Push slider upward into final position.
- Ensure level fitment.
- Tighten front mount.
- Tighten rear mount.
- Tighten centre mount.





FINAL INSPECTION

Inspect Slider Alignment

- Confirm both sliders sit evenly.
- Check body clearance.

Inspect Checker Plate Position

- Ensure checker plate sits securely.
- Verify grip surface is level.

Verify Seal Protection

- Inspect rear folded section.
- Confirm protection against stone chips.

Check All Hardware

- Confirm all nuts fully tightened.
- Ensure spring washers compressed correctly.

Road Test & Recheck

- Drive vehicle carefully.
- Recheck hardware after first trip.
- Recheck again after first off-road use.

Final Assembly and Testing

- Description: Tighten all bolts to the specified torque values. Inspect the installation for stability and ensure all components are securely fastened. Test fit the guard to confirm there are no vibrations or misalignments. Check regularly as bolts/nuts may loosen over time.
- Safety Note: Do not operate the vehicle without completing the final inspection.

Disclaimer

Rockarmor Pty Ltd accepts no liability for damages, injuries, or vehicle malfunctions arising from improper installation or failure to follow the fitting instructions provided.

We strongly recommend that this product be installed by a qualified and experienced fitter using the correct tools and procedures to ensure both safety and optimal performance.

Any modification of the product or deviation from the outlined installation process will void all warranties and transfer full responsibility to the installer and/or vehicle owner.

By proceeding with the installation, the installer acknowledges and accepts all associated risks and responsibilities.

Maintenance Note – Side Steps

To maintain the longevity of your side steps, promptly touch up any scratches with rust-proof paint or a suitable protective coating.

Do not use a high-lift jack on the airbag-compatible rock sliders, as this may interfere with the side impact airbag bracket.

If brush bars are not installed, ensure the front-end cap is securely fitted to protect against wear and environmental exposure.