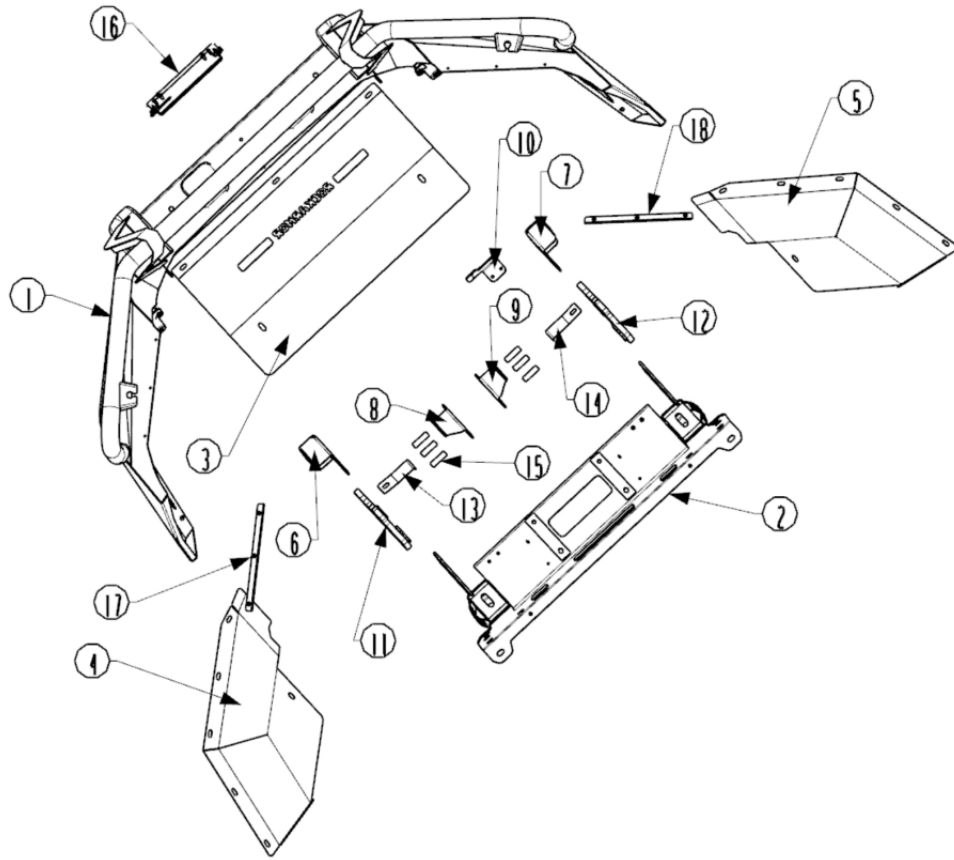


# ROCKARMOR Fitting instruction

Description :	GT Bull Bar For 2020+ HILUX
Model :	2020+ HILUX
Item NO. :	BBRA-HILUXGT



# ROCKARMOR Fitting instruction



Note: PLEASE READ BEFORE ATTEMPTING INSTALLATION.

- All Rockarmor products are manufactured to highest of standards and latest finishes including sand blasting all raw material and e coating to clear the product of any impurities and finished with a tiger coat to keep the longevity if at any stage while off road or on road use this product is damaged or scratched have the damaged surface repaired.
- This product and its fixings must not be modified in any way unless stated in this fitting instruction.
- Do not remove labels from this product.
- Do not use this product for any vehicle other than specified in these instructions.
- It is the installer's responsibility to assure this product is installed correctly allowing enough tolerance for movement between the chassis and body and clearance of all components.
- Use Loctite on all nuts and bolts.
- The installation of this product may require the use of specialized tools and or trained fitter.

For more information regarding this product please visit [www.Rockarmor.com.au](http://www.Rockarmor.com.au)

The following tools will be required to install the product.

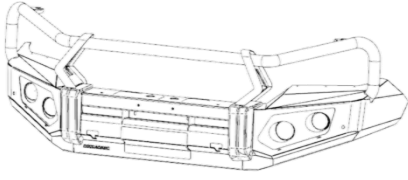
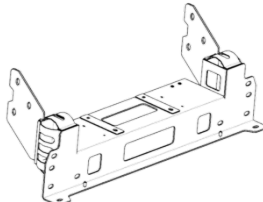

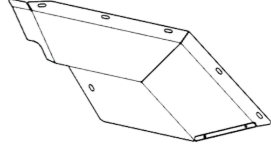
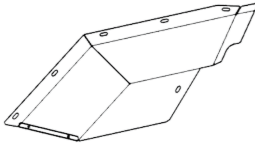
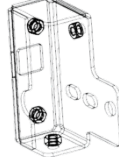
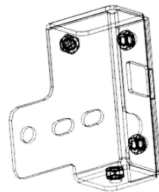
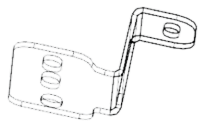
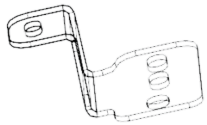
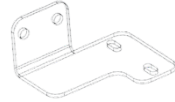
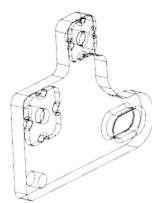
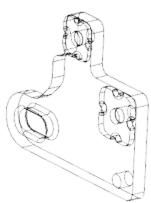
Metric Socket Set 10-18MM.  
Socket Extension Bar  
Metric Spanner Set 10-18MM.  
Torx Drivers T25-T30  
Trim Removal Tool

# ROCKARMOR Fitting instruction

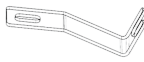
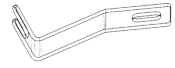




Standard locking torque

M6 - 11Nm | M8 - 18Nm | M10 - 80 Nm | M12 - 90 Nm | M16 - 90 Nm

## Parts list

Item	Description	Qty	Item	Description	Qty
1	 Bull bar assemble	1	2	 Winch Frame	1
3	 Middle bash plate	1	4	 Bash plate (LH)	1
5	 Bash plate (RH)	1	6	 Outside Bracket (LH)	1
7	 Outside Bracket (RH)	1	8	 Inside Bracket (LH)	1
9	 Inside Bracket (RH)	1	10	 Grill Cover	1
11	 Recovery points (LH)	1	12	 Recovery points (RH)	1

# ROCKARMOR Fitting instruction

13	 Bash Plate Holder (LH)	1	14	 Bash Plate Holder (RH)	1
15	 OE Lights Holder	6	16	 License Plate Holder	1
17	 Eyebrow For SR Model Only (L)	1	18	 Eyebrow For SR Model Only (R)	1

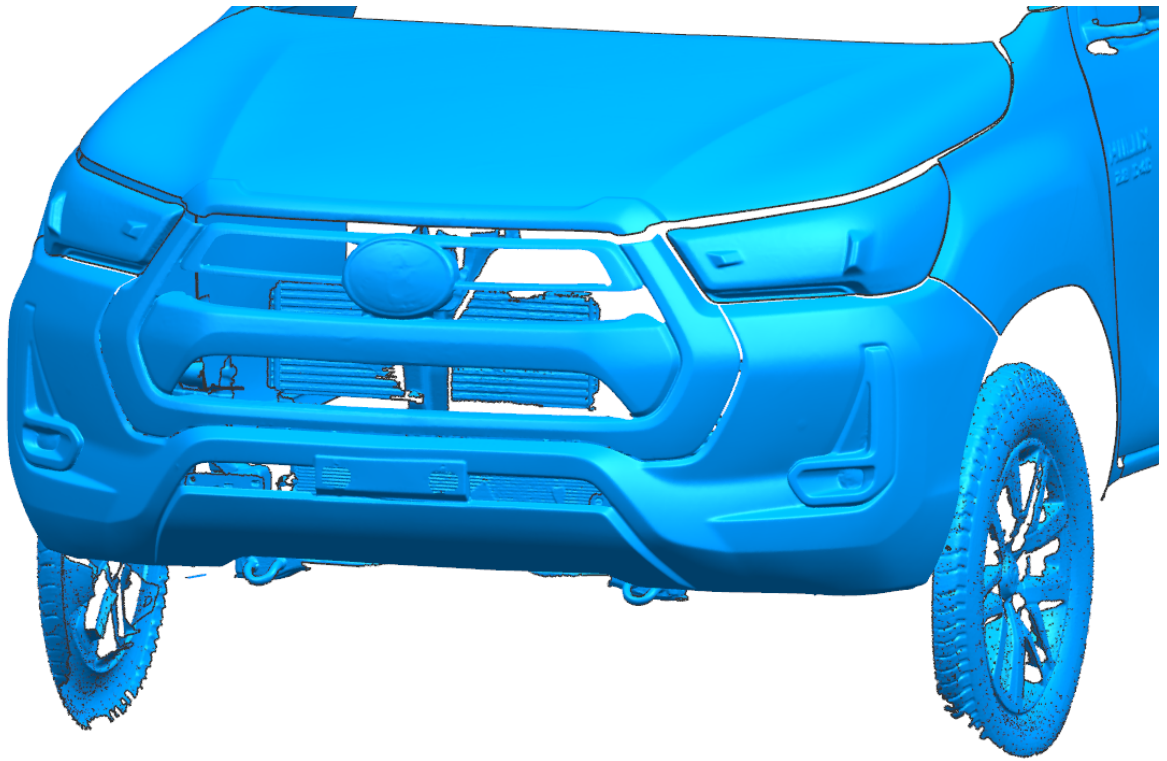
Item	Description	Qty
19	Hexagonal head bolt M12x110	2
21	Hexagonal head bolt M12x1.25x60	4
22	Hexagonal head bolt M12x35	6
23	Hexagonal head bolt M12x90	4
24	Hexagonal head bolt M6x20	19
25	Hexagonal head bolt M6x25	2
26	Hexagonal head bolt M10x1.25x30	6
27	Hexagonal head bolt M10x35	8
28	Hexagonal head Nut M12x1.75	12
29	Cage Nut M6	2
30	Flange Nut M10x1.25	2
31	D10x30_2 Washer	12
32	D12x32_3 Washer	28
33	D6x18_2 Washer	17
34	D6x22_2 Washer	4
35	D10x20_2 Washer	2
36	Spring Washer D10	12
37	Spring Washer D12	16
38	Spring Washer D6	21
39	hexagon socket screwM6x16	6



# **ROCKARMOR** Fitting instruction

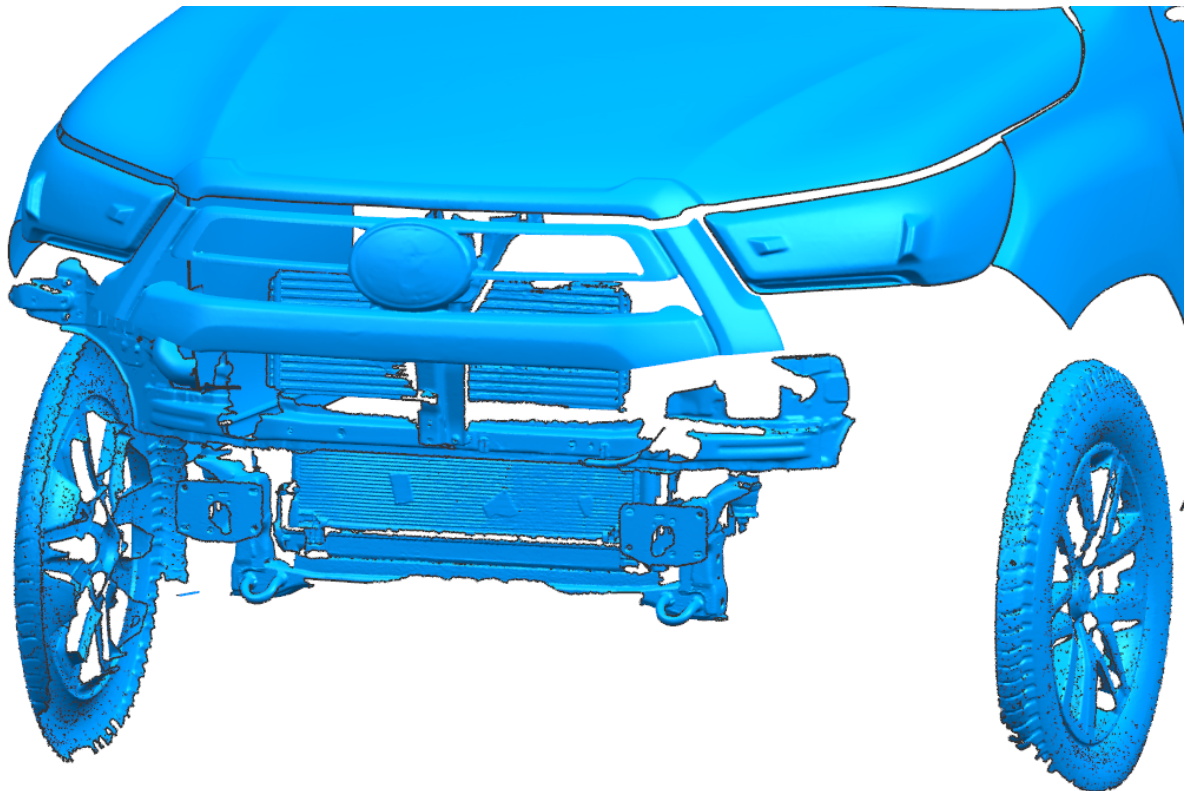
---

## 1. Installation Steps:



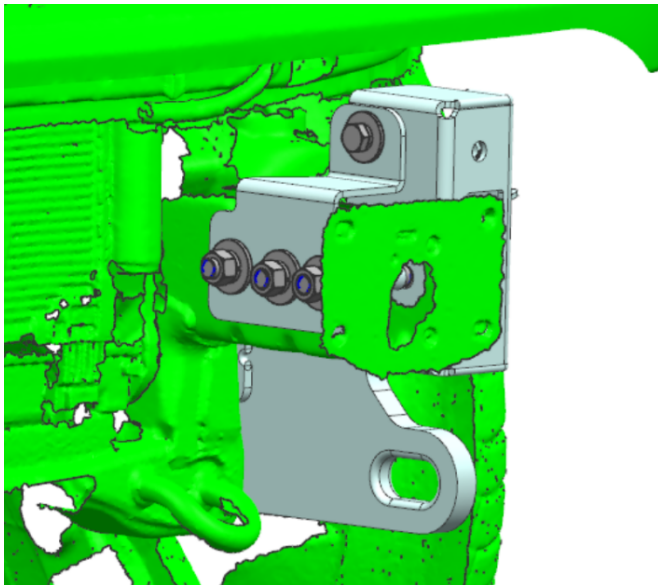
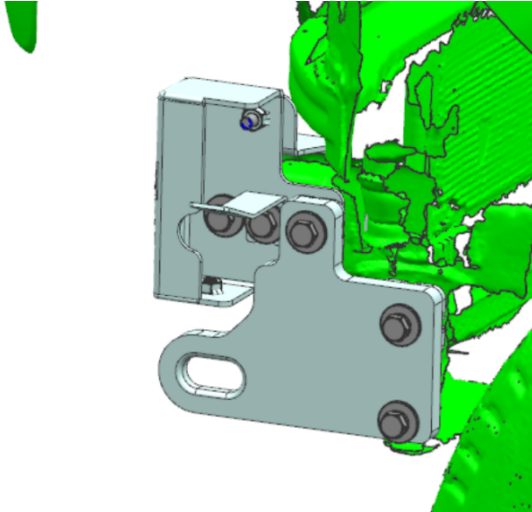
**Remove front Factory Bumper**

**Painting Under the Headlights is Recommended.**



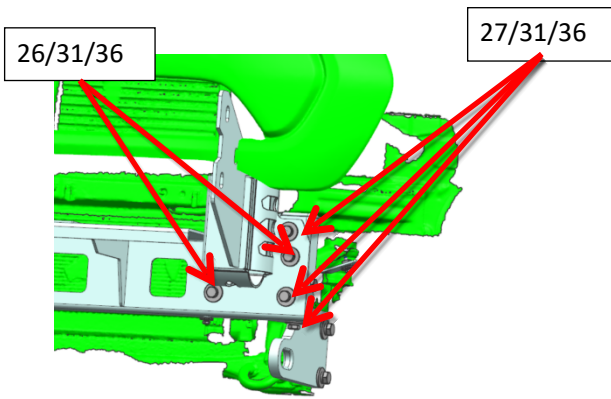
# ROCKARMOR Fitting instruction

## 2. Chassis Mount: item 6&7&8&9&11&12&13&14&15(LHS)



# ROCKARMOR Fitting instruction

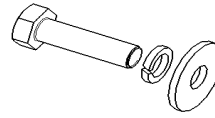
## 1. Install item 2



1. Use below bolt kits:

Item 27 /31/36 (6)

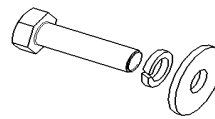
Hexagonal head bolt M10x1.5x35+D10x30\_2  
Washer+Spring Washer D10



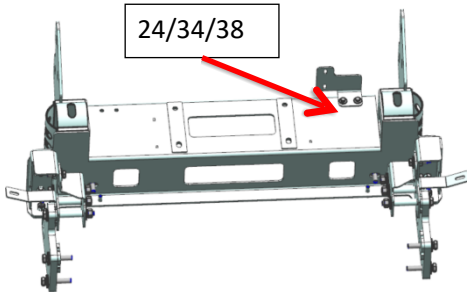
2. Use below bolt kits:

Item 26 /31/36 (4)

Hexagonal head bolt M10x1.25x30+D10x30\_2  
Washer+Spring Washer D10



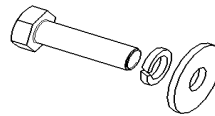
## 4. Install item 10 (If Installing a Winch Then Install Winch At This St



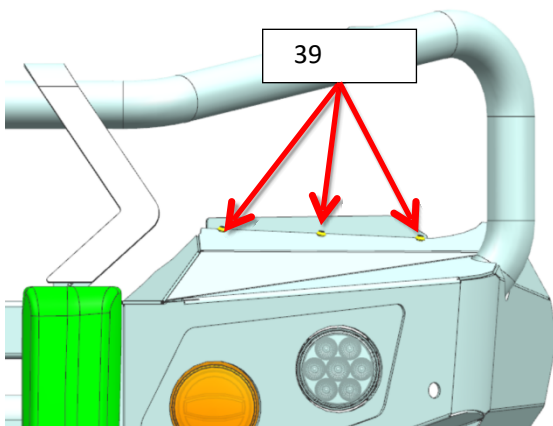
Use below bolt kits:

Item 24/33/38 (2)

Hexagonal head bolt M6x20 + D6x22\_2 Washer +  
Spring Washer D6



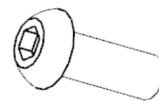
## 5. Install item 17&18 (For SR Models)



Use below bolt kits:

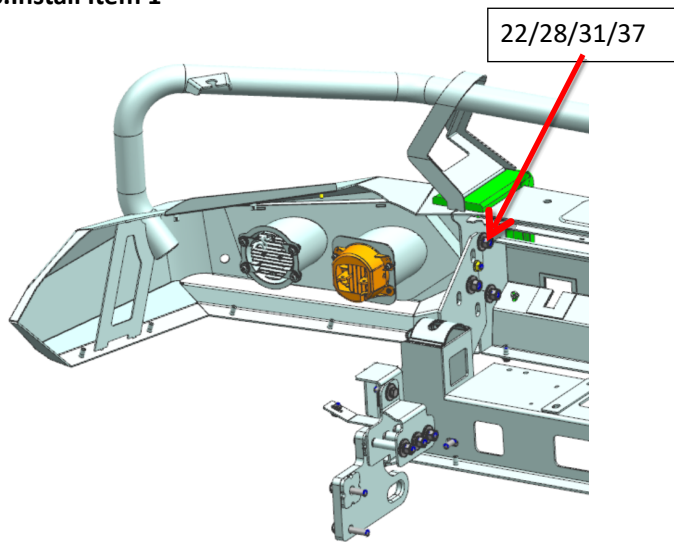
Item 39 (6)

hexagon socket screw M6x16



# ROCKARMOR Fitting instruction

## 6.Install Item 1



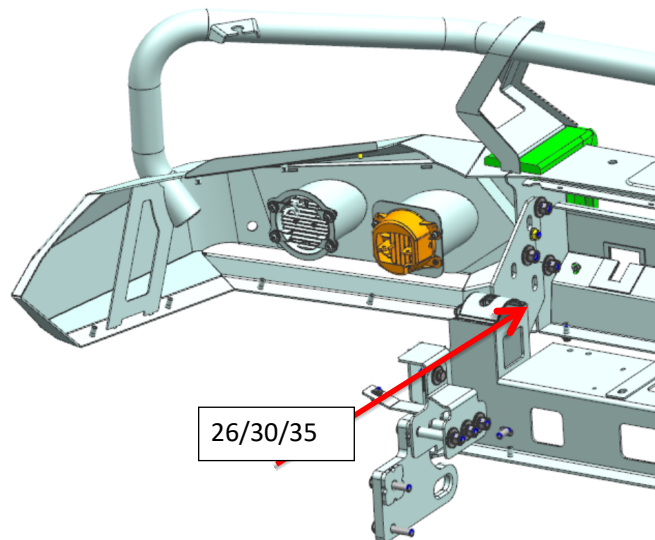
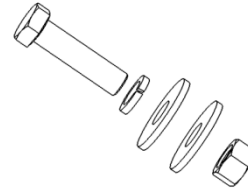
1.Use below bolt kits:

Item 22/28/31/37 (6)

Hexagonal head bolt M12x35 +

Hexagonal head Nut M12x1.75 + D12x37\_3

Washer + Spring Washer D12



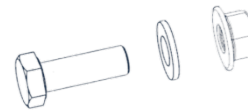
2.Use below bolt kits:

Item 26/30/35 (2)

Install Locator Bolts once the bar has been

adjusted hexagonal head bolt M10x1.25x30 +

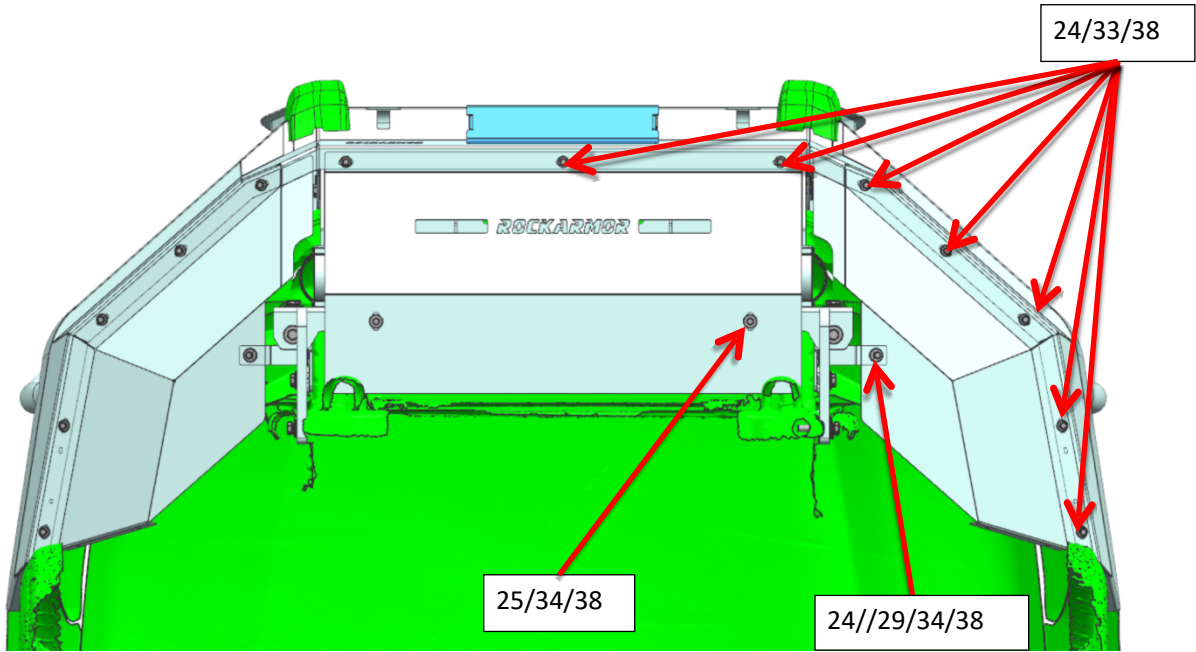
Flange Nut M10x1.25 + D10x20\_2 Washer





# ROCKARMOR Fitting instruction

7. Install item 3&4&5

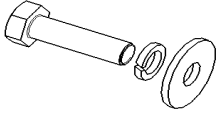


# ROCKARMOR Fitting instruction

1. Use below bolt kits :

Item 24/33/38 (13)

Using Hexagonal head bolt M6x20+D6x18\_2 Washer+Spring Washer D6



2. Use below bolt kits :

Item 24/29/34/38 (2)

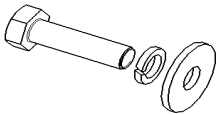
Using Hexagonal head bolt M6x20+Cage Nut M6+ D6x22\_2 Washer+Spring Washer D6



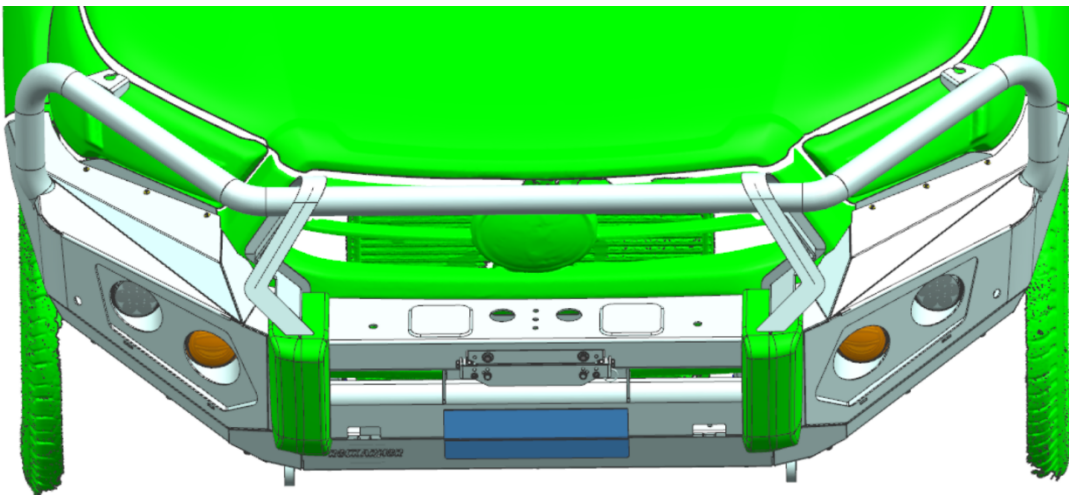
3. Use below bolt kits

Item 25/34/38 (2)

Hexagonal head bolt M6x25+D6x22\_2 Washer+Spring Washer D6



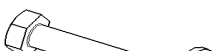
## 8. Install item 16



Need use below bolt kits :

Item 24/33/38 (2)

Hexagonal head bolt M6x20+D6x18\_2 Washer+D6 spring washer



# **ROCKARMOR** Fitting instruction

---

4. Test and make sure that the guard is steadily fixed, fully tighten all hardware
5. Cut and fit factory inner guard lining to the wing bashplates.

For more information check out [www.rockarmor.com.au](http://www.rockarmor.com.au) and watch our YouTube installation video.

---