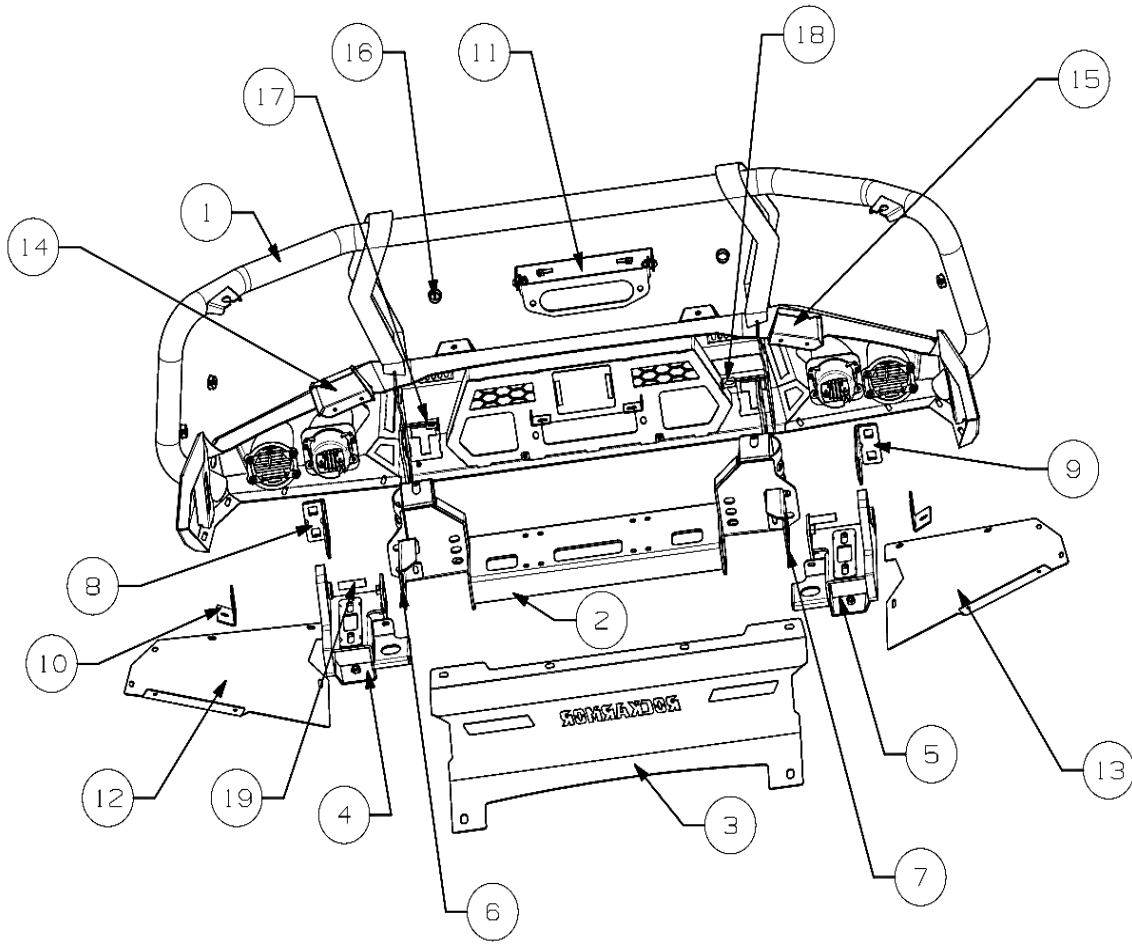


# ROCKARMOR Fitting instruction

Description :	GT Bull Bar to Suit Ford Ranger Next Gen
Model :	2022+ Ford Ranger Next Gen
Item NO. :	BBRA-RANGENG



# ROCKARMOR Fitting instruction



# **ROCKARMOR** Fitting instruction

---

Note: PLEASE READ BEFORE INSTALLATION

- All Rockarmor products are manufactured to highest of standards and latest finishes including sand blasting all raw material and e coating to clear the product of any impurities and finished with a tiger coat to keep the longevity if at any stage while off road or on road use this product is damaged or scratched have the damaged surface repaired.
- This product and its fixings must not be modified in any way unless stated in this fitting instruction.
- Do not remove labels from this product.
- Do not use this product for any vehicle other than specified in these instructions.
- It is the installer's responsibility to assure this product is installed correctly allowing enough tolerance for movement between the chassis and body and clearance of all components.
- Use Loctite on all nuts and bolts.
- The installation of this product may require the use of specialized tools and or trained fitter.

The following tools will be required to install the product.

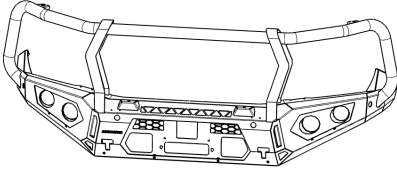
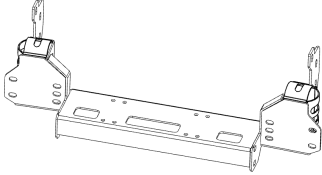
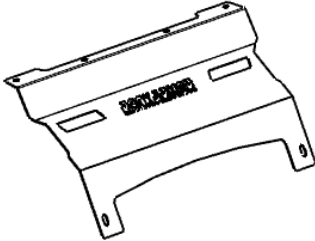
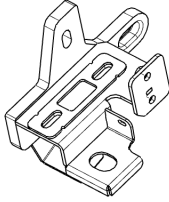
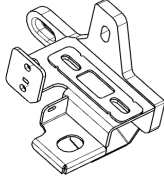
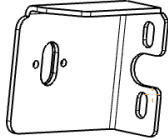
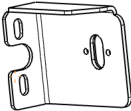
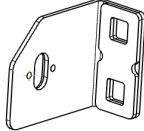
Metric Socket Set 10-18MM.  
Socket Extension Bar  
Metric Spanner Set 10-18MM.  
Torx Drivers T25-T30  
Trim Removal Tool  
Screwdriver Set (Flat and Phillips head)  
Utility Knife  
Side Cutters  
Pliers  
Impact Drill  
Loctite  
Cable Ties  
Masking Tape  
Satin Black Automotive Paint  
Grease and wax Remover.  
Scotch Brite or Fine sandpaper.

# ROCKARMOR Fitting instruction

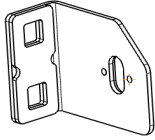
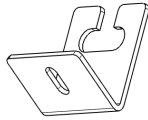
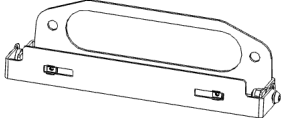
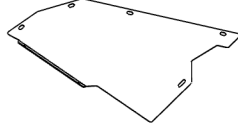
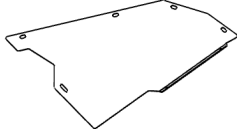
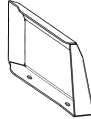
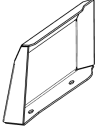
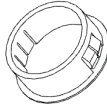
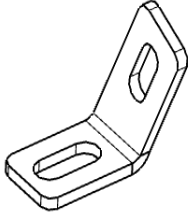
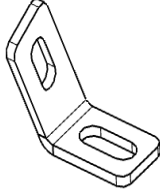
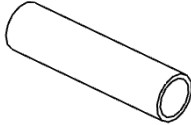
Standard locking torque

M6 - 11Nm | M8 - 18Nm | M10 - 80 Nm | M12 - 90 Nm | M16 - 90 Nm

## Material list

Item	Description	Qty	Item	Description	Qty
1	 Bull bar assemble	1	2	 Winch Frame	1
3	 Middle bash plate	1	4	 Trailer coupler welded body (LH)	1
5	 Trailer coupler welded body (RH)	1	6	 Inner car code(LH)	1
7	 Inner car code(RH)	1	8	 Outside the car code(LH)	1

# ROCKARMOR Fitting instruction

9	 Outside the car code(RH)	1	10	 Lower guard bracket	2
11	 Licence Plate Holder	1	12	 Lower guard(LH)	1
13	 Lower guard(RH)	1	14	 Small wings(LH)	1
15	 Small wings(RH)	1	16	 HP28 Stopper (27-28 Positions)	6
17	 strip light mounting bracket (LH)	1	18	 strip light mounting bracket (RH)	1
19	 sleeve	2			

Item	Description	Qty
20	Dome Head Bolt M10x30	2
21	D10x30 Washer	10
22	D6x12 Washer	6
23	D10x20 Washer	8
24	D12x24 Washer	4
25	Nyloc Nut M10x1.5	2
26	Hexagon head bolts M12x130	2

# **ROCKARMOR** Fitting instruction

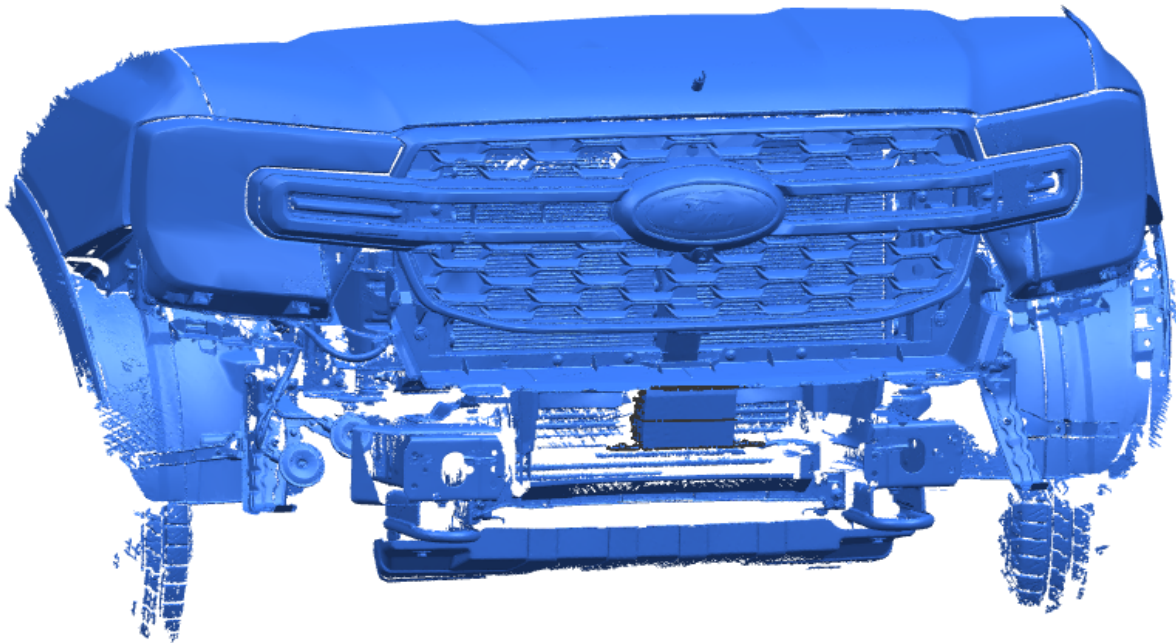
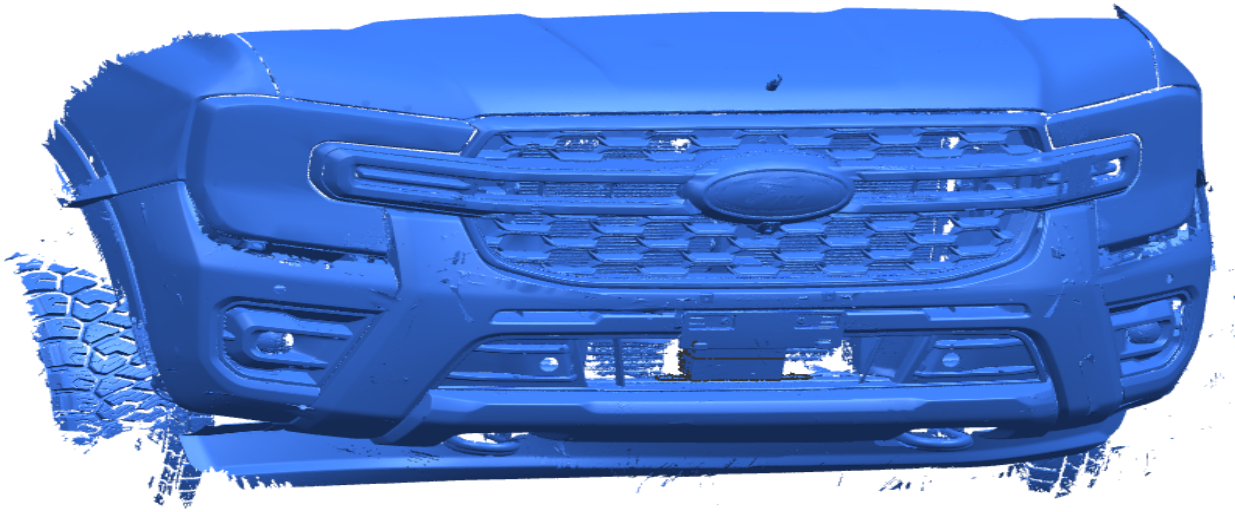
27	Hexagonal head bolt M6X20	4
28	Hexagonal head bolt M10x30	2
29	Hexagonal head bolt M10x35	4
30	Hexagonal head bolt M10x40	4
31	Hexagonal head bolt M12x35	10
32	Hexagonal head bolt M12x40	4
33	Hexagonal head bolt M10x1.25x40	4
34	Hexagonal head Nut M6x1	2
35	Hexagonal head Nut M10x1.5	4
36	Hexagonal head Nut M12x1.75	8
37	Hexagonal head Nut M10x1.25	4
38	Spring Washer D6	4
39	Spring Washer D10	14
40	Spring Washer D12	16
41	D10x27 Washer	8
42	D12x32 Washer	20
43	Flange Nut M6x1	14
44	Assembling Socket Screw(M6_20)	26



# **ROCKARMOR** Fitting instruction

---

## 1. Installation Steps:



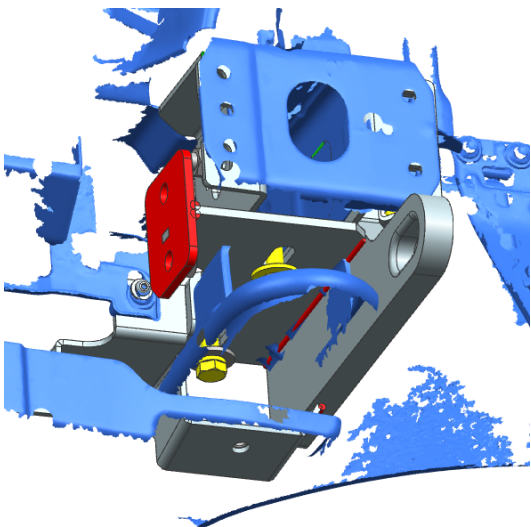
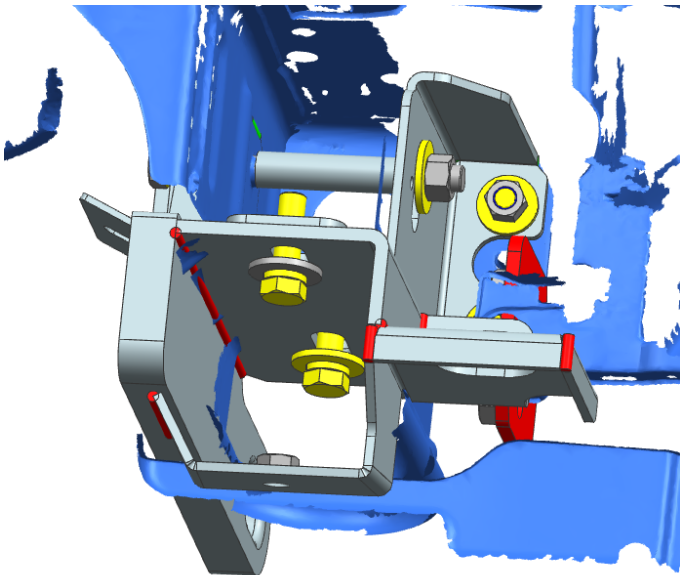
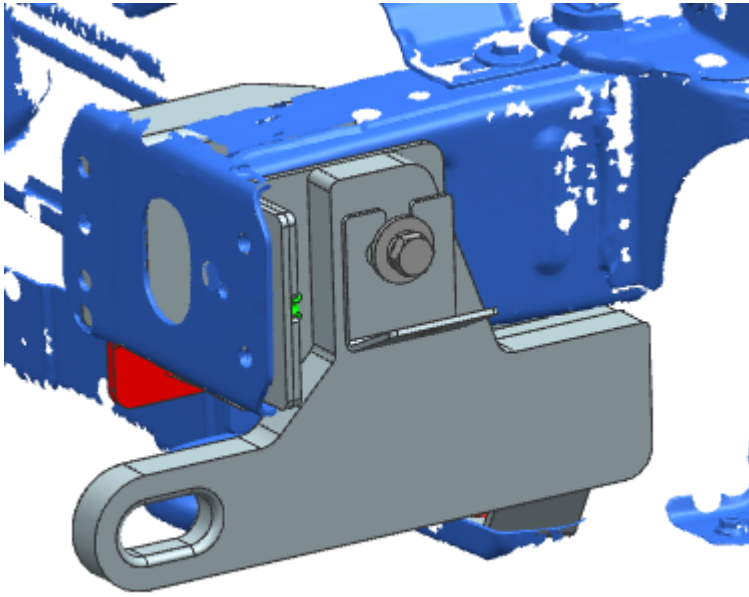
---

**Remove front factory bumper. Cut Side Flares in line with the guard.**

**Paint under the head light and side of guard**

# ROCKARMOR Fitting instruction

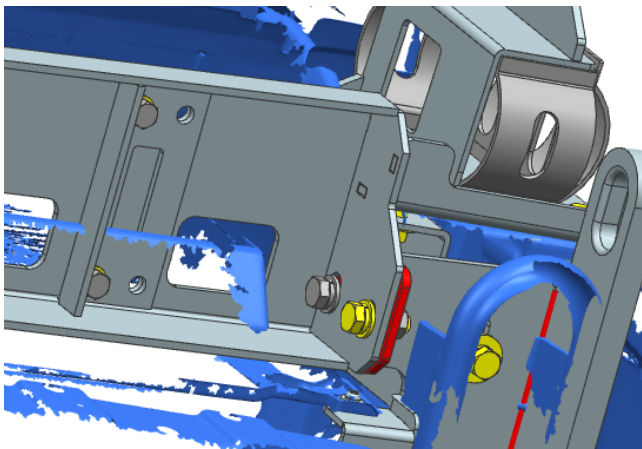
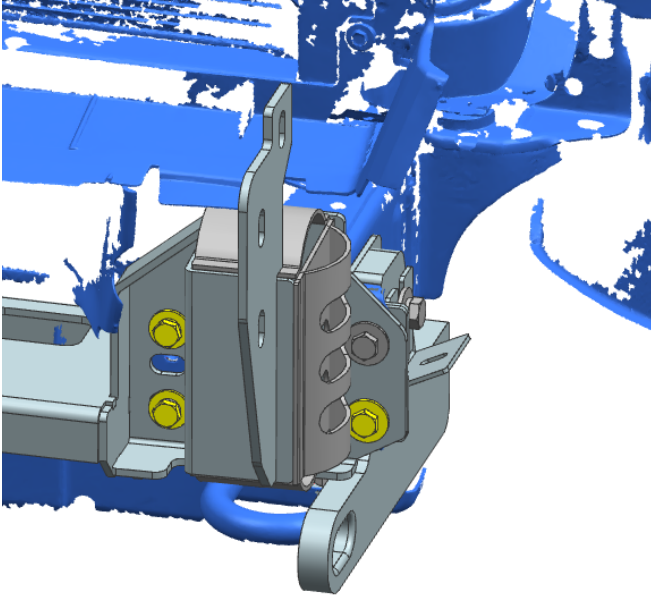
## 2. Chassis Mount: item 4&8&7&10&19 (LHS)





# ROCKARMOR Fitting instruction

3. install item 2 (LHS)

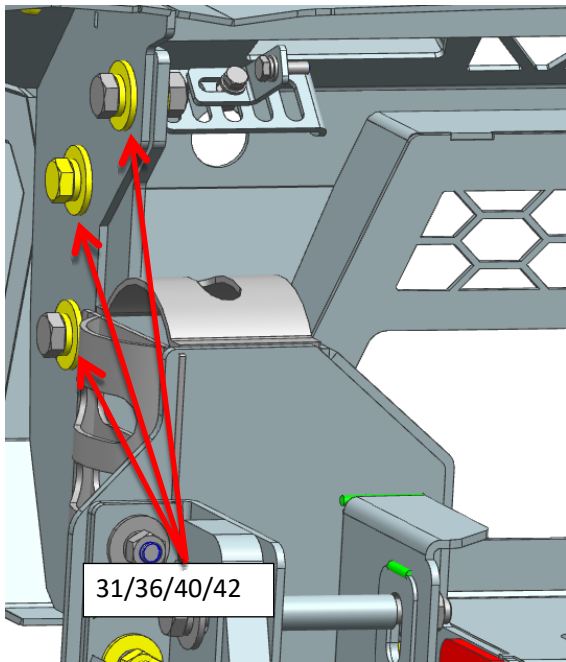


4. Install Item 17&18



# ROCKARMOR Fitting instruction

## 1. Install Item 1

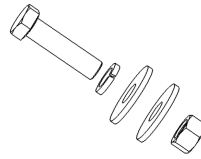


1. Need use below bolt kits:

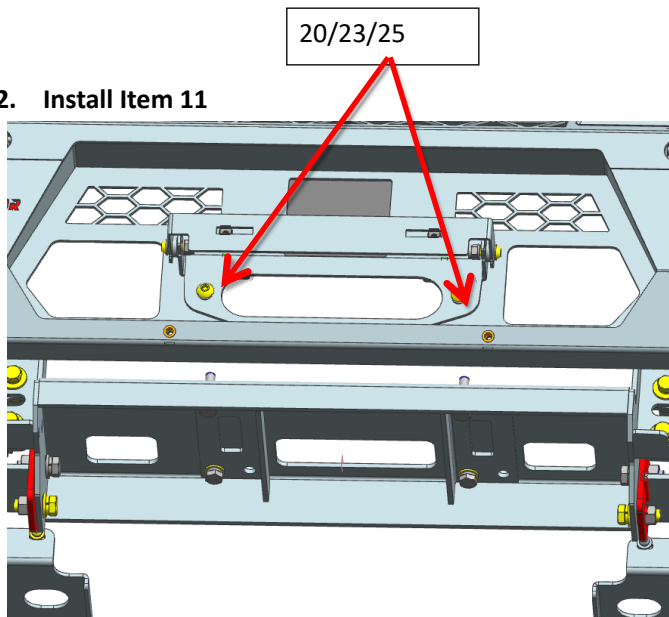
Item 31/36/40/42 (6)

Hexagonal head bolt M12x35 + Spring Washer D12 + D12x32

Washer (2) + Hexagonal head Nut M12x1.75



## 2. Install Item 11

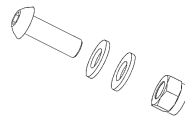


1. Need use below bolt kits:

Item 20/23/25 (2)

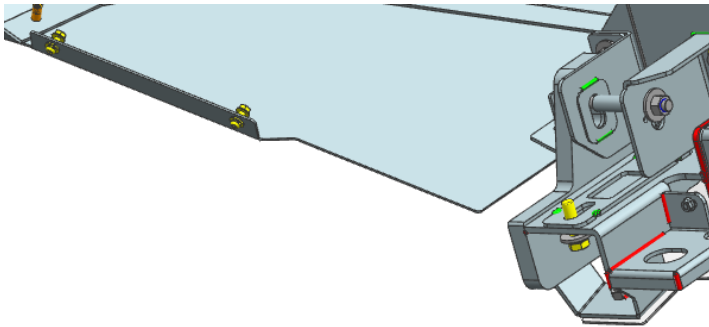
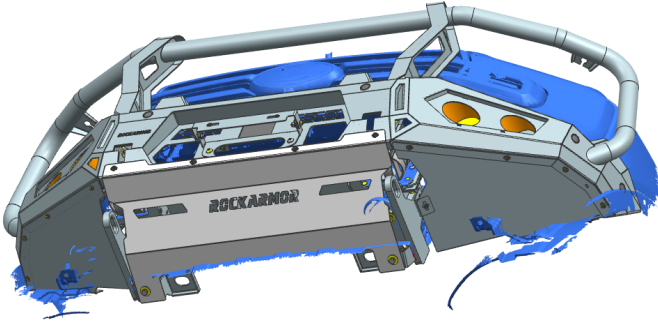
Dome Head Bolt M10x30 + D10x20 Washer (2) + Nyloc Nut

M10x1.5

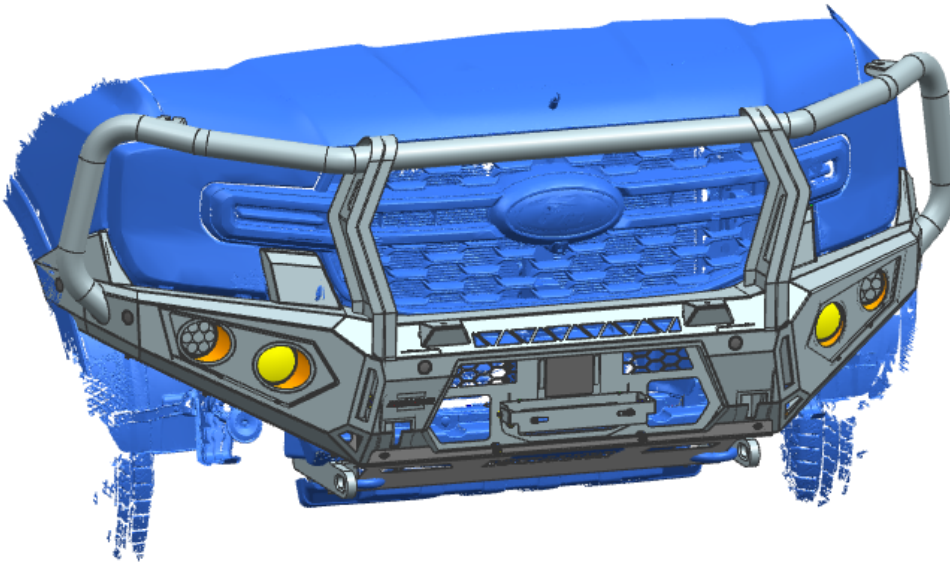


# ROCKARMOR Fitting instruction

8. Install item 3&12(LHS)



9. Carefully Go over all mounting points assuring they have been tightened.



3. Cut and fit factory inner guard lining to the wing bashplates.

For more information check out [www.rockarmor.com.au](http://www.rockarmor.com.au) and watch our YouTube

# **ROCKARMOR** Fitting instruction

installation video.