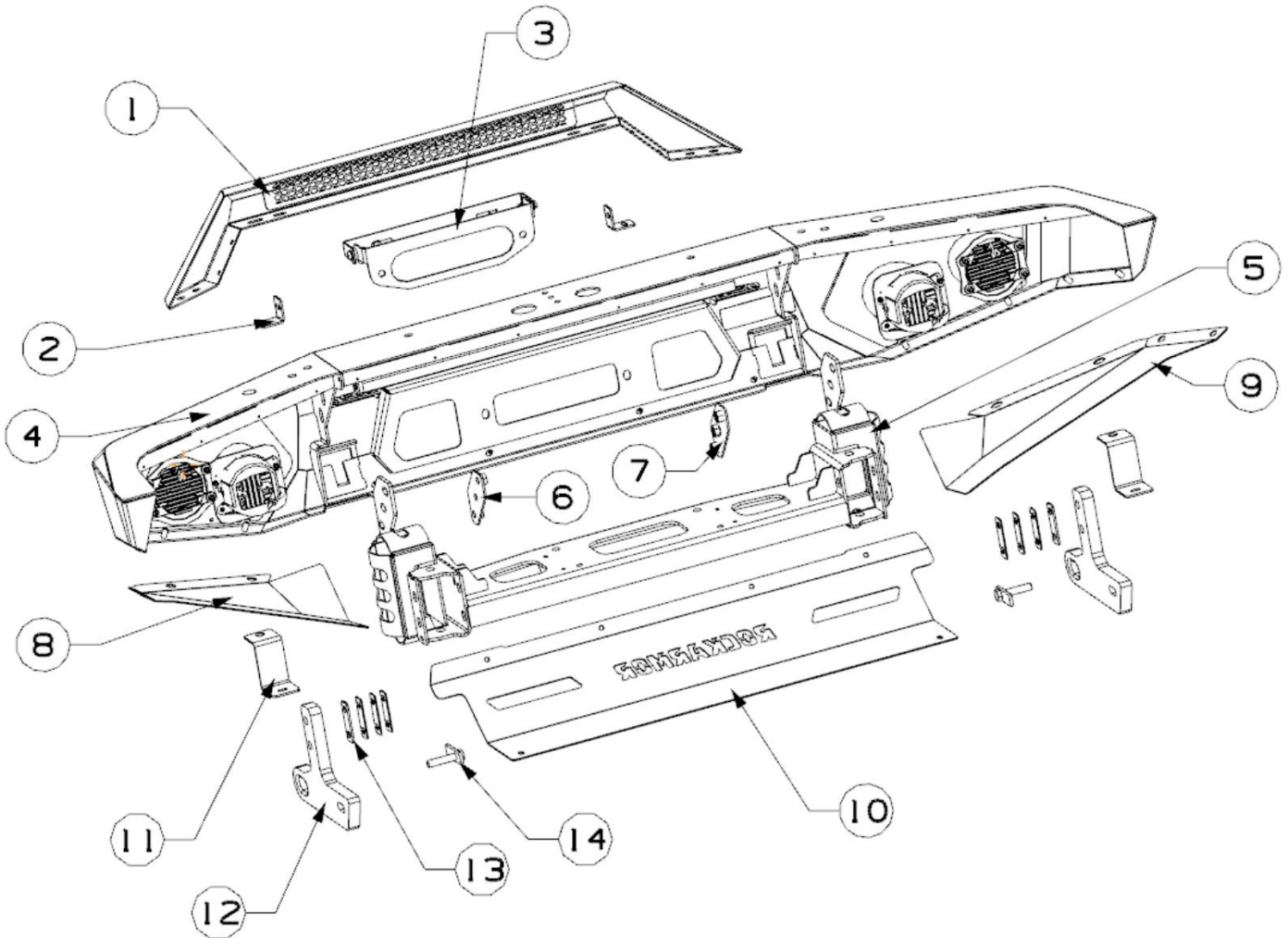


ROCKARMOR Fitting instruction

Description:	GT Bull Bar to Suit Landcruiser 76,79 series 2007 To Current (78-2007-2017)
Model:	2022+ LC79
Item NO.:	BBRA-70GT



ROCKARMOR Fitting instruction

Note: PLEASE READ BEFORE ATTEMPTING INSTALLATION.

- All Rockarmor products are manufactured to highest of standards and latest finishes including sand blasting all raw material and e coating to clear the product of any impurities and finished with a tiger coat to keep the longevity if at any stage while off road or on road use this product is damaged or scratched have the damaged surface repaired.
- This product and its fixings must not be modified in any way unless stated in this fitting instruction.
- Do not remove labels from this product.
- Do not use this product for any vehicle other than specified in these instructions.
- It is the installer's responsibility to assure this product is installed correctly allowing enough tolerance for movement between the chassis and body and clearance of all components.
- Use Loctite on all nuts and bolts.
- The installation of this product may require the use of specialized tools and or trained fitter.

For more information regarding this product please visit www.Rockarmor.com.au

The following tools will be required to install the product.

Metric Socket Set 10-18MM.

Socket Extension Bar

Metric Spanner Set 10-18MM.

Torx Drivers T25-T30

Trim Removal Tool

Screwdriver Set (Flat and Phillips head)

Utility Knife

Side Cutters

Pliers

Impact Drill

Loctite

Cable Ties

Masking Tape

Satin Black Automotive Paint

Grease and wax Remover



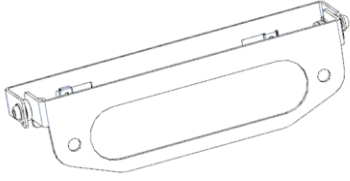
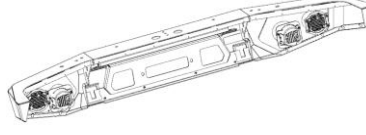
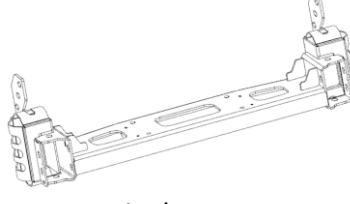


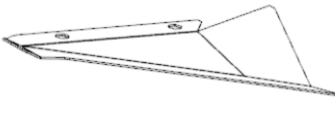
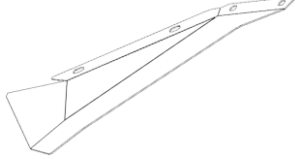
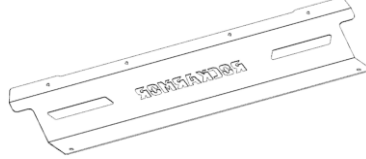

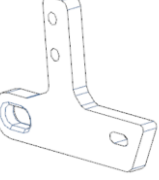
Scotch Brite or Fine sandpaper

ROCKARMOR Fitting instruction


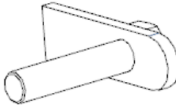

Standard locking torque

M6 - 11Nm | M8 - 18Nm | M10 - 80 Nm | M12 - 90 Nm | M16 - 90 Nm

Material list

Item	Description	Qty	Item	Description	Qty
1	 Long Lamp Bracket	1	2	 Long Lamp Holder	2
3	 Licence Plate Holder	1	4	 Bull bar assemble	1
5	 Winch Frame	1	6	 Plate nuts(LH)	1
7	 Plate nuts(RH)	1	8	 Bash plate(LH)	1
9	 Bash plate(RH)	1	10	 Middle bash plate	1
11	 Middle Bash Plate Holder	2	12	 Recovery points	2

ROCKARMOR Fitting instruction

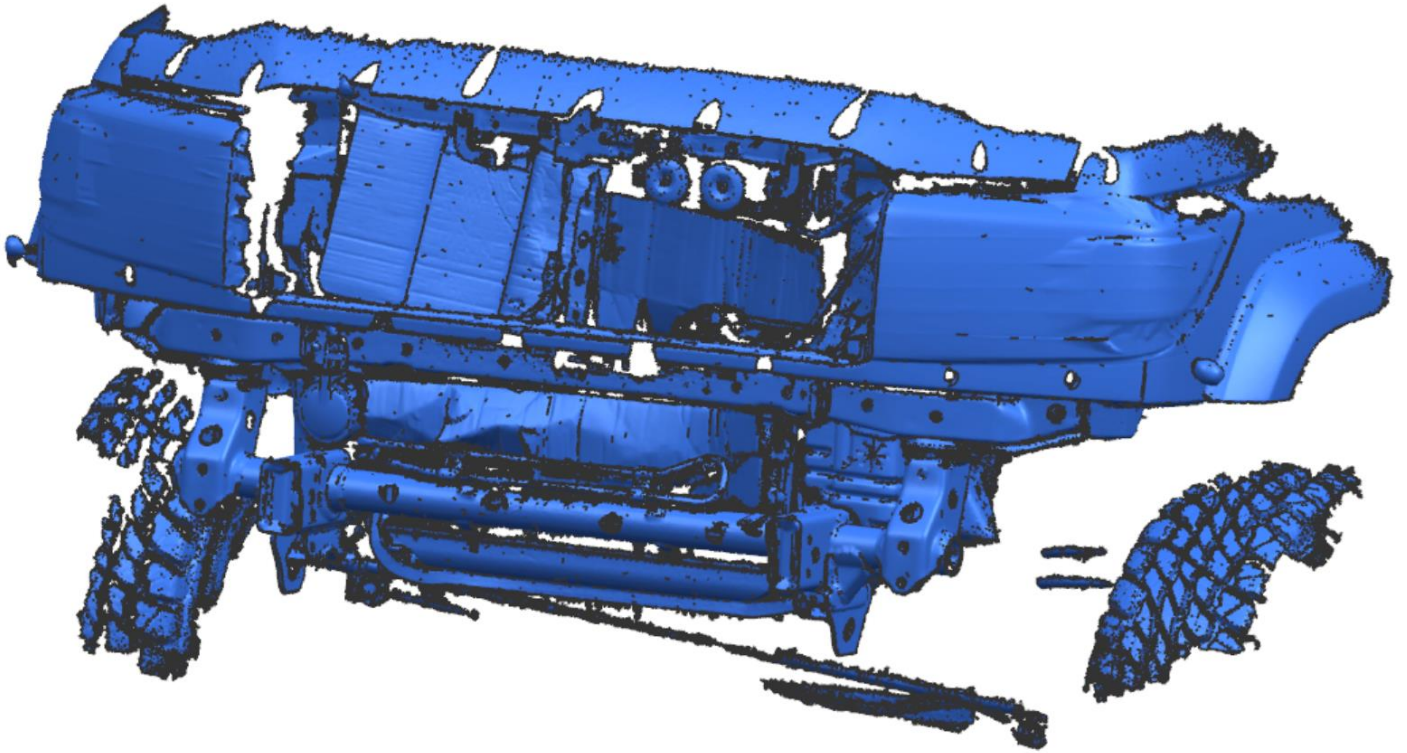
13	 Recovery points Plate	8	14	 Plate bolts(LH)	2
N/A	 Pinch mould (500mm)	1			

Item	Description	Qty
15	Hexagonal head bolt M12x140	2
16	Hexagonal head bolt M12x35	6
17	Hexagonal head bolt M6x20	22
18	Hexagonal head bolt M8x16	2
19	Hexagonal head bolt M8x20	6
20	Hexagonal head bolt M10x1.25x55	8
21	Hexagonal head Nut M12x1.75	4
22	Hexagonal head Nut M6	6
23	D6x18_2 Washer	22
24	D8x24_2 Washer	8
25	D6x12_2 Washer	6
26	Spring Washer D10	8
27	Spring Washer D12	10
28	Spring Washer D6	22
29	Spring Washer D8	8
30	D10x24_2.2 Washer	8
31	D12x32_3 Washer	12
32	Flange Nut M8	6

ROCKARMOR Fitting instruction

1. Installation Steps:

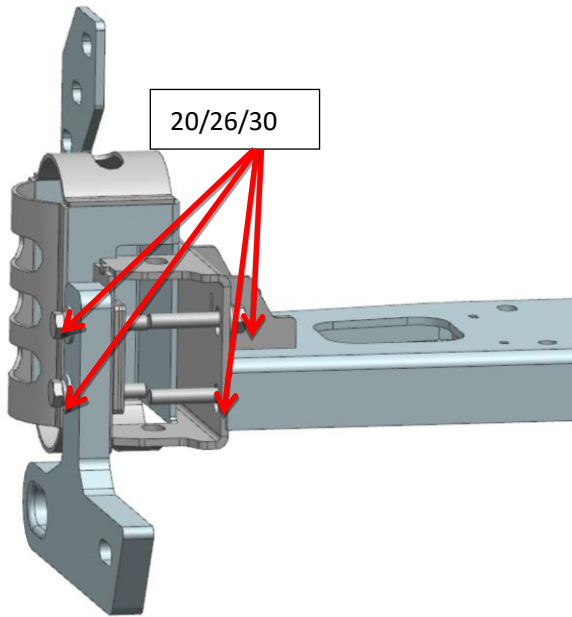
Remove front surround



Remove front factory bumper (Take care when unclipping any wiring harnesses)

ROCKARMOR Fitting instruction

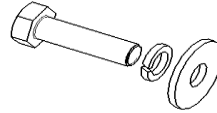
2. Mount Winch Cradle to the Chassis: item 5&11&12&13&14 (LHS)



1. Use below bolt kits:

Item 20/26/30 (4)

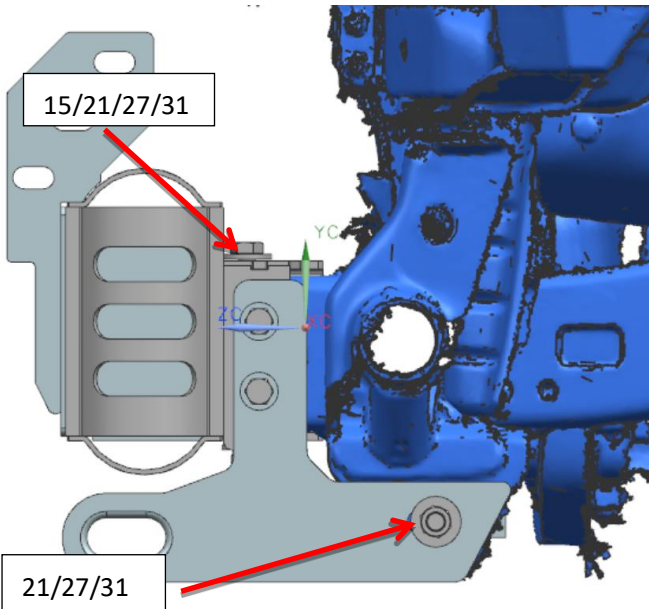
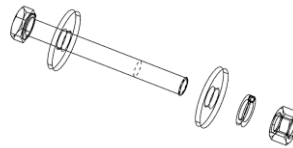
Hexagonal head bolt M10x1.25x55(4)+ M10 washer(4)+M10 Spring washer(4)



2. Use below bolt kits:

Item 15/21/27/31 (1)

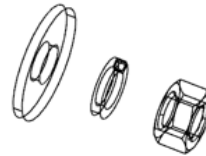
Hexagonal head bolt M12x140(1)+M12 washer(2)+M12 Spring washer(1)+M12 Nut(1)



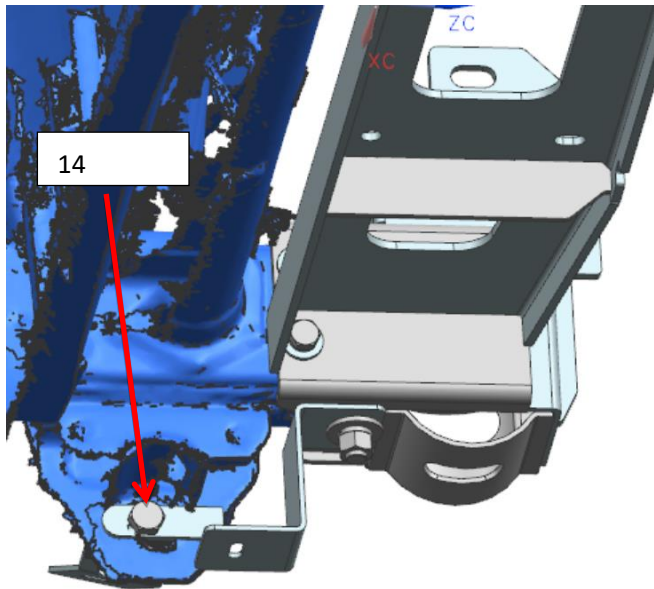
3. Use below bolt kits:

Item 21/27/31 (1)

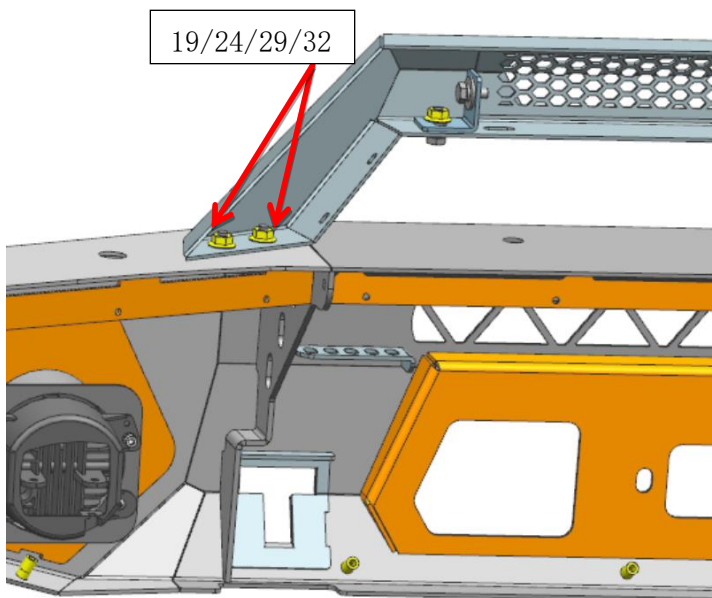
M12 washer(1)+M12 Spring washer(1)+M12 Nut(1)



ROCKARMOR Fitting instruction



3. install item 1&2 (OPTIONAL)



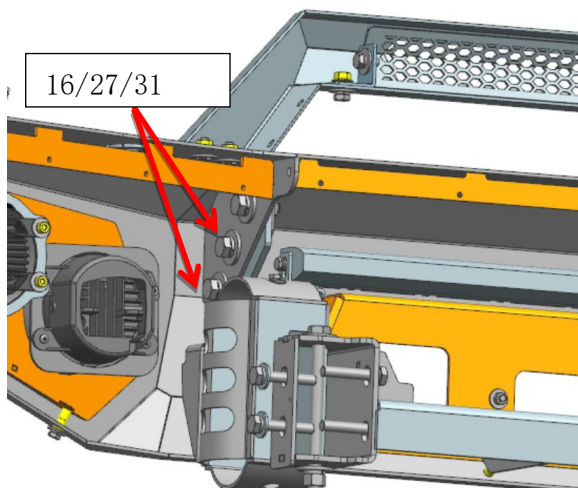
1. Use below bolt kits:

Item 19/24/29/32 (2)

Hexagonal head bolt M8x20 + Flange Nut M8 + D8x24_2
Washer +Spring Washer D8



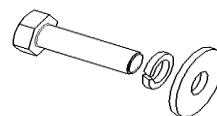
4. Install item 4&6&7(LHS)



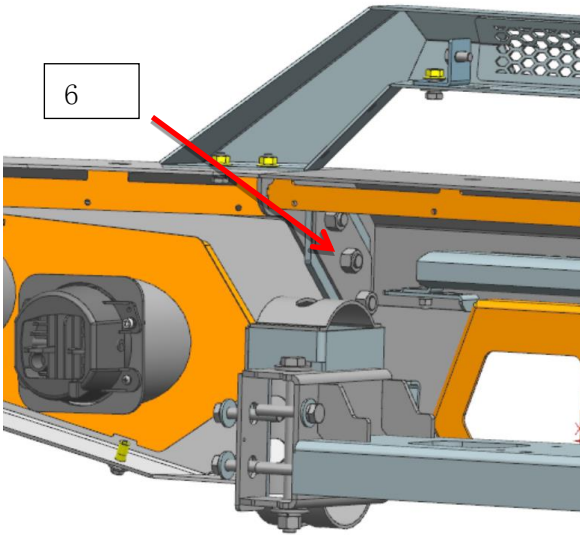
Need use below bolt kits:

Item 16/27/31 (3)

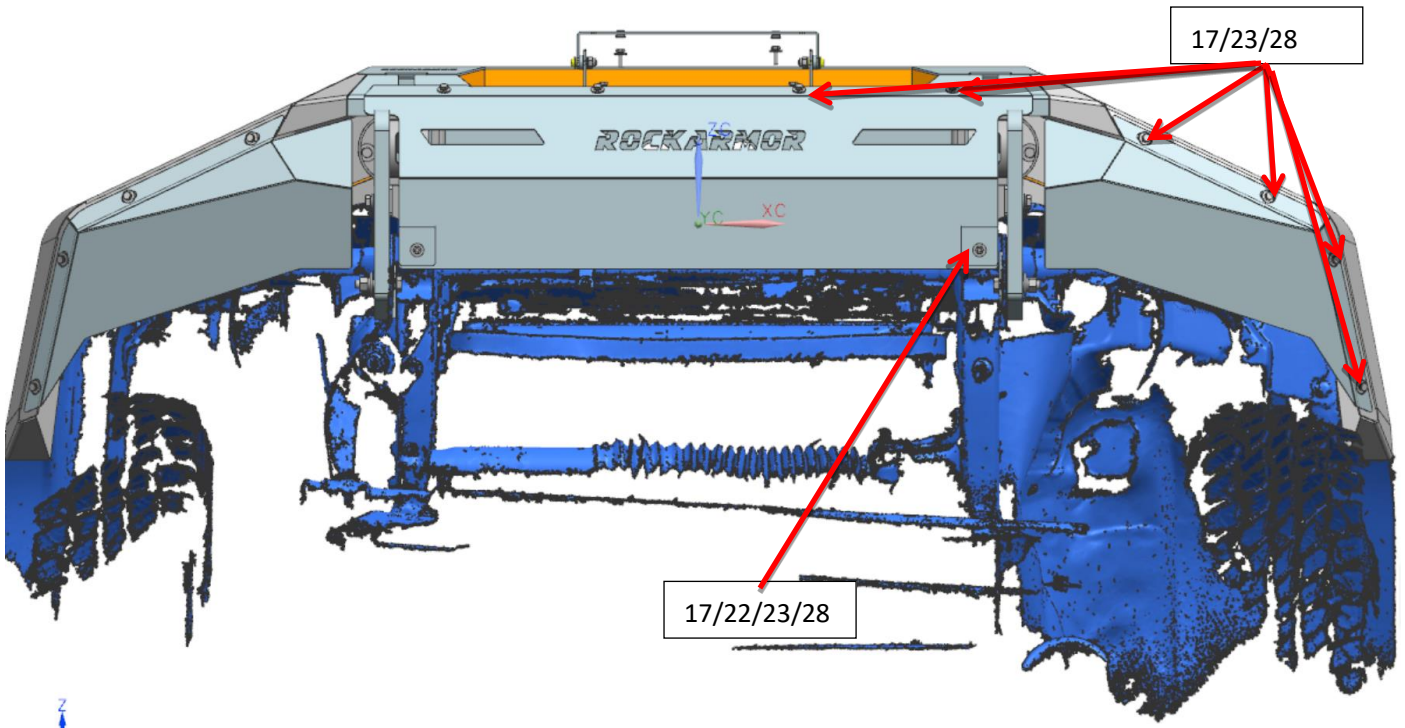
Hexagonal head bolt M12x35+ D12x32_3 Washer
+M12 Spring washer



ROCKARMOR Fitting instruction



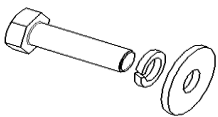
5. Install item 8&9&10



Need use below bolt kits:

1. Item 17/23/28 (12)

Hexagonal head bolt M6x20+D6x18_2 Washer+Spring Washer D6

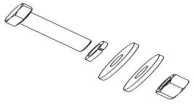


2. Use below bolt kits

Item 17/22/23/28 (2)

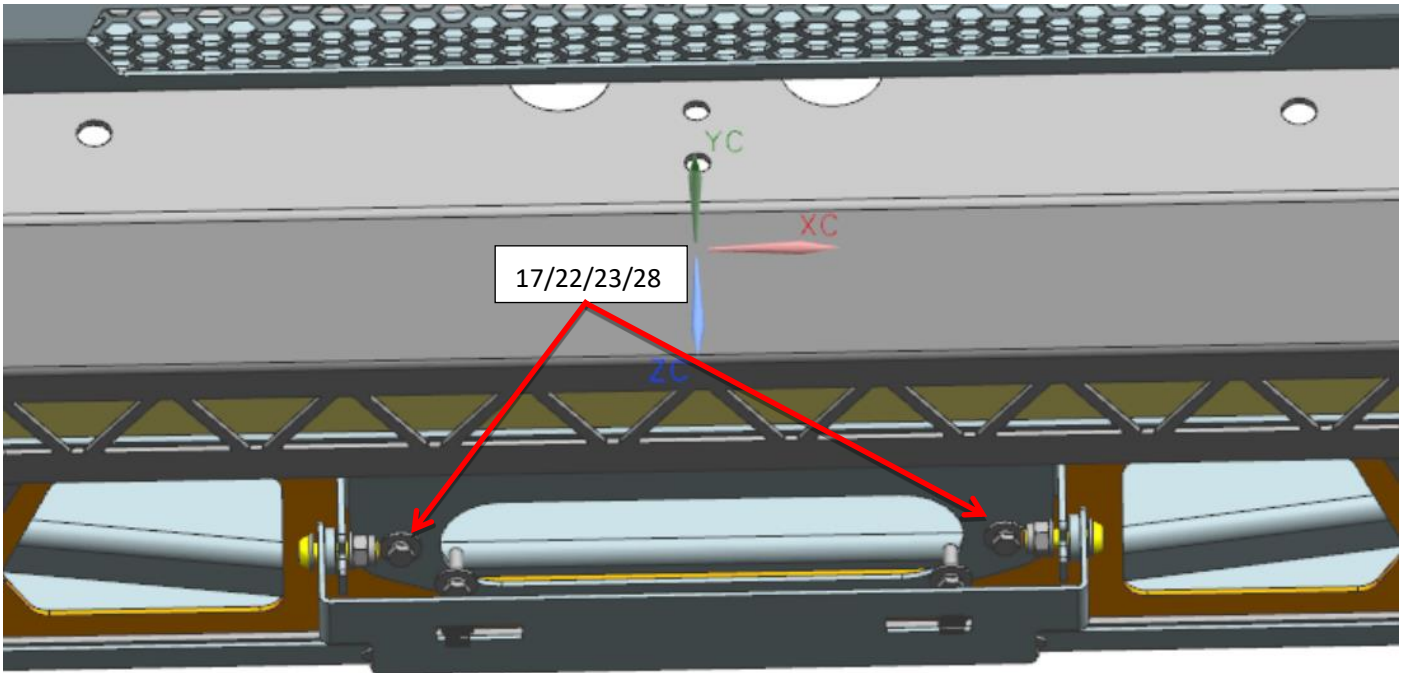
Hexagonal head bolt M6x20+ Hexagonal head Nut M6 +D6x18_2 Washer+Spring Washer D6

ROCKARMOR Fitting instruction



ROCKARMOR Fitting instruction

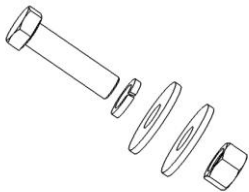
6. Install Item 3



1. Need use below bolt kits:

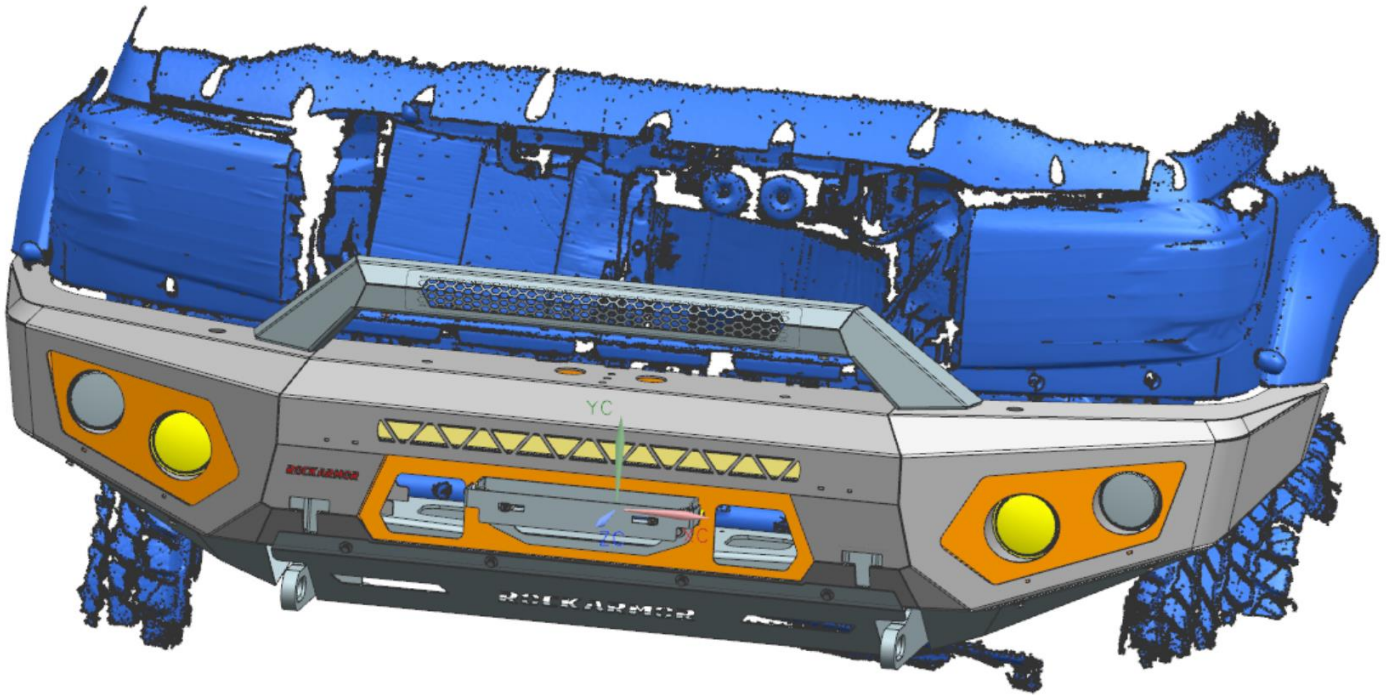
Item 17/22/23/28 (2)

Hexagonal head bolt M6x20+ Hexagonal head Nut M6 +D6x18_2 Washer+Spring Washer D6



ROCKARMOR Fitting instruction

7. Test and make sure that the guard is steadily fixed, fully tighten all hardware
8. Installation is Complete



For more information check out www.rockarmor.com.au and watch our YouTube installation video.